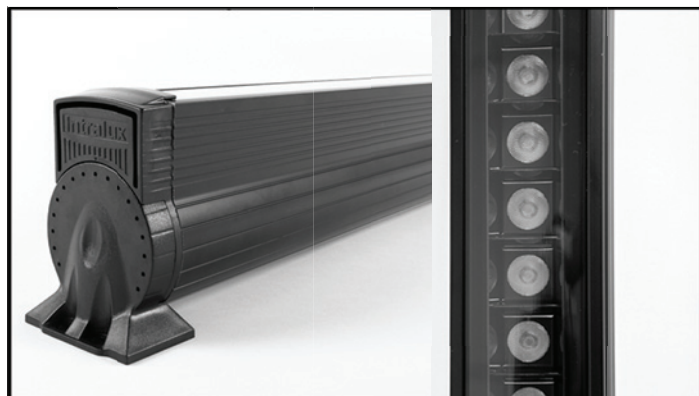


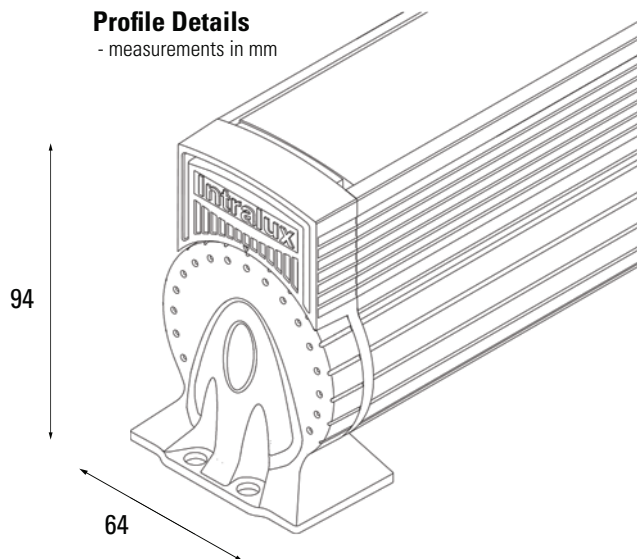
COG LED 2.0 - EXTERIOR LINEAR SYSTEM

Intralux

DATE	October 2021	CODE	CLED-W1	A
PROJECT		TYPE		



Profile Details
- measurements in mm



Product Characteristics

Calculated LED Module Life	L80 B10 > 50,000 hours
LED Module Wattage HE/HO	7W / 11W
CRI / TM-30 (3000K)	90+
Typical Fixture Lumens/m (Lms)	3117 / 4507
LED Module Type	Nichia
LED Colour Temperature (CCT)	2700K / 3000K / 4000K and Solid Colours
Max. Verified Ambient Temperature	50°C
Max. Interconnectable Run Length #1	60 metres
Electrical Connection Type	'Plug+Go' interconnect with IP68 connectors

#1 - Dependent on module configuration

Input Voltage	220-240V - 50/60Hz
Input Cable Length	2m - Flying lead (CLEDS Only)
Weight/metre (kgs)	4kgs/m
Housing Material	Aluminium Extrusion with: Black Anodized (BA) / Silver Anodized (SA) / White Powdercoat (WP)
Mounting Options	Surface Mount (as standard)
IP Rating	IP65
Environment	Exterior - Protects against jets of water

Module Characteristics

Cog Led Standard Product Code

Non-Interconnectable	CLEDS-2x7	CLEDS-3x7	CLEDS-4x7	CLEDS-5x7	CLEDS-2x11	CLEDS-3x11	CLEDS-4x11	CLEDS-5x11
Interconnectable	CLED-2x7	CLED-3x7	CLED-4x7	CLED-5x7	CLED-2x11	CLED-3x11	CLED-4x11	CLED-5x11
Total Fixture Length (mm)	656	942	1,228	1,514	656	942	1,228	1,514
LED Module Configuration	2 x 7W	3 x 7W	4 x 7W	5 x 7W	2 x 11W	3 x 11W	4 x 11W	5 x 11W
Module Lumens *	1,740	2,610	3,480	4,350	2,516	3,774	5,032	6,290
Module Wattage	14W	21W	28W	35W	22W	33W	44W	55W
Module/Fixture System Amps (A)	0.06	0.09	0.12	0.15	0.1	0.14	0.19	0.24
Fixture Weight	2.75kg	3.75kg	5.0kg	6.25kg	2.75kg	3.75kg	5.0kg	6.25kg

Notes: * Calculated Data Values Only

Compliance

EN55015:2013+A1:2015
AS/NZS CISPR15:2017
IEC/EN 60598-1:2017
IEC/EN 60598-2-1:2014+A1:2015



Intralux

Intralux Australia 15 Industrial Avenue, Wacol, QLD 4076 Australia
Tel: +61 7 3726 9564 Email: info@intralux.com Website: www.intralux.com

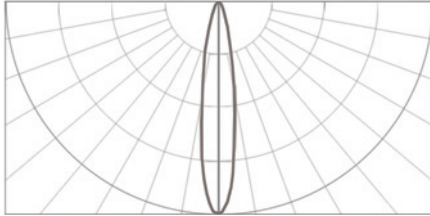
Intralux products are designed and built to comply with appropriate International Standards. All brands and representations within the brochure are Trademarks of their respective holders. Some of the images on this brochure are computer generated representations. Intralux Australia reserves the right to alter the design and specifications of these products without notice. E&OE



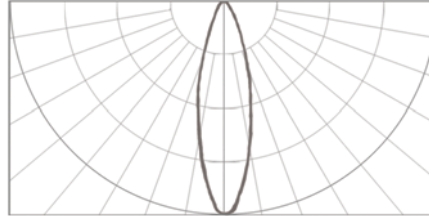
COG LED 2.0 - EXTERIOR LINEAR SYSTEM

DATE	October 2021	CODE	CLED-W1	A
PROJECT			TYPE	

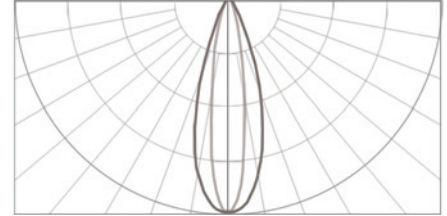
Beam Options - IES files available at www.intralux.com



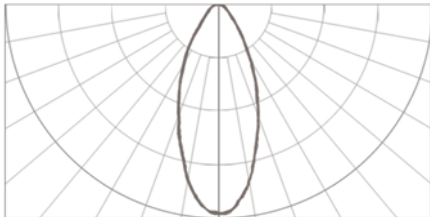
Narrow Beam with Louver - 21°



Medium Beam with Louver - 27°



Oval Beam with Louver - 34°x17°



Wide Beam with Louver - 46°

Ordering Cog LED 2.0

Module Type	Non-Interconnectable Fixture (CLEDS) / Interconnectable Fixture (CLED)
Beam Options	Narrow - 21° (N) / Medium - 27° (M) / Oval - 34° x 17° (O) / Wide - 46° (W)
Luminaire Exterior Finish	Black Anodized (BA) / White Powdercoat (WP) / Silver Anodized (SA) / Other finishes available on a project basis.
CRI/LED Colour Temperature	90 CRI 2700K (927) / 90 CRI 3000K (930) / 90 CRI 4000K (940) and solid colours**
Dimming & Control Options*	DALI (DALI) / Non Dimmable (F) / 1-10V Dimmable (1-10V)

Notes: * Dimming range limited by driver manufacturer. ** Solid Colours available on project basis only.

Build the product code

Cog LED 2.0 Non-Interconnectable (Stand-alone) Luminaire

CLEDS-5X11-940-N-BA-DALI

Module CRI/LED Colour Beam Surface Finish Controls

Cog LED 2.0 Interconnectable Luminaire

CLED-5X7-930-N-BA-DALI

Module CRI/LED Colour Beam Surface Finish Controls