

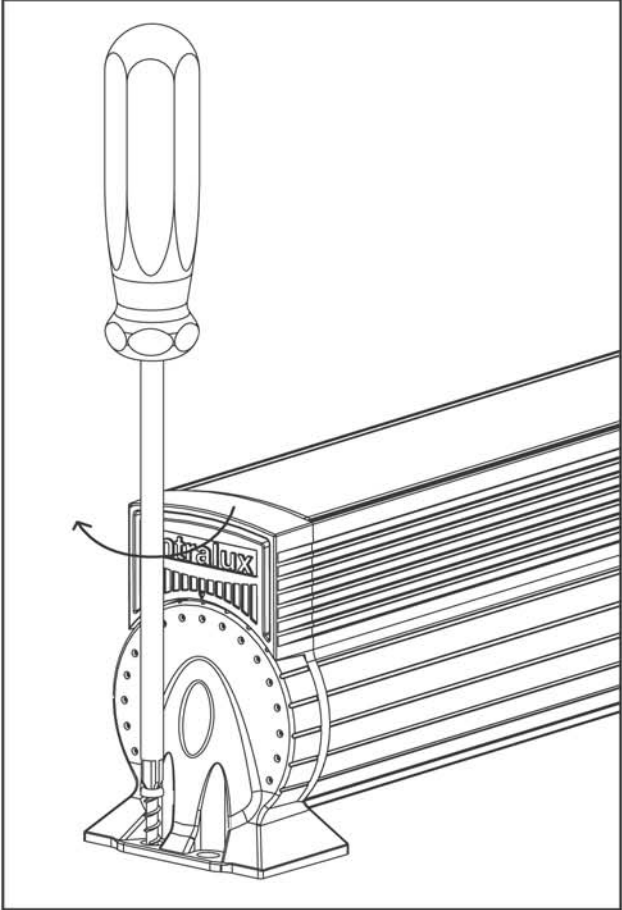


COG LED LUMINAIRE

INSTALLATION GUIDE

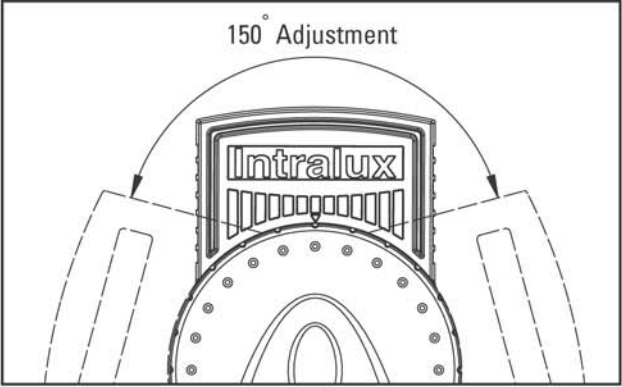
DATE	October 2013	CODE	DS-CLED01-EU	A
PROJECT		TYPE		

1. SCREW FITTING TO SUBTRATE



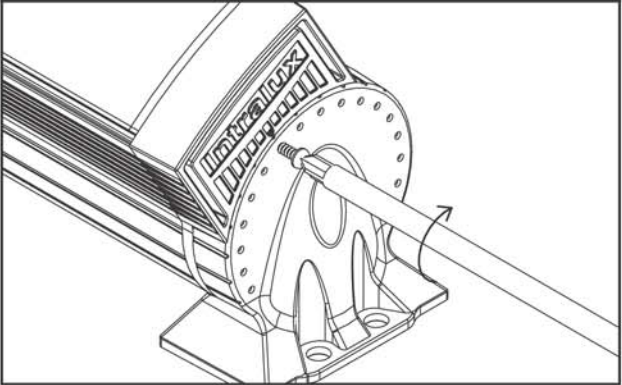
Use suitable fixings for the intended application as per industry standards.

2. ADJUST BODY TO SUIT APPLICATION



Adjust the fixture to the required angle.

3. IF REQUIRED, LOCK BODY INTO POSITION



If the fixtures are required to be locked in position, align the suitable hole with the ▼ mark and insert screw provided.



Intralux Australia Pty Limited 23 Enterprise Street Richlands, Brisbane, Queensland, 4077, Australia
Tel: +61 7 3375 9333 Fax: +61 7 3375 9444 Email: info@intralux.com Web: www.intralux.com

Design and Trade Mark registrations pending. Intralux Products are designed and built to comply with appropriate International Standards. All brand names on this brochure are Trade Marks of their respective holders. Some of the images in this brochure are computer generated representations. Intralux Australia reserves the right to alter the designs and specifications of these products without notice.

DS-CLED01-EU October 2013 E&OE



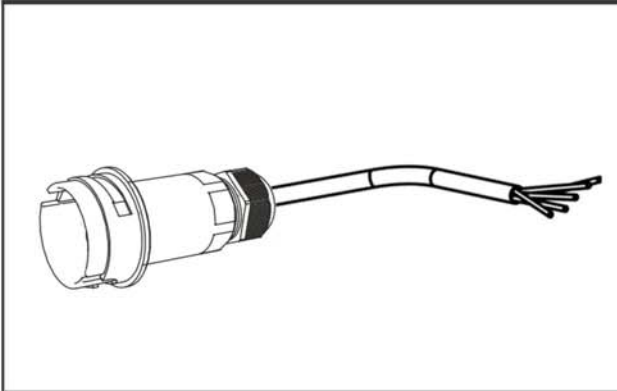


COG LED LUMINAIRE

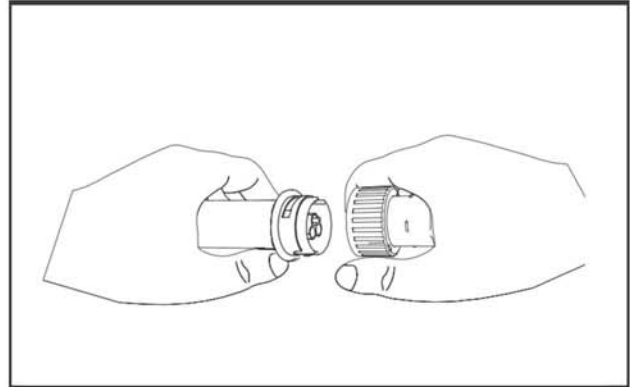
ELECTRICAL CONNECTION

DATE	October 2013	CODE	DS-CLED02-EU	A
PROJECT		TYPE		

1. LOCATE THE STARTER LEADS

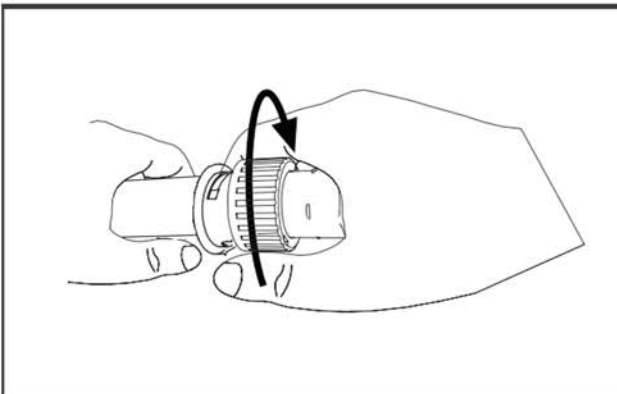


2. JOIN THE STARTER LEAD TO FIXTURE



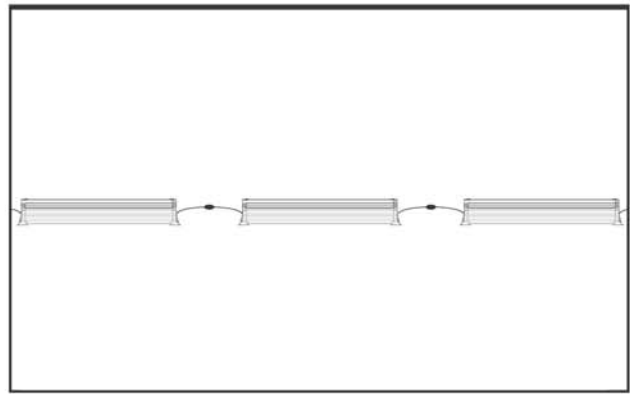
a. Firmly push the connectors together.

2.



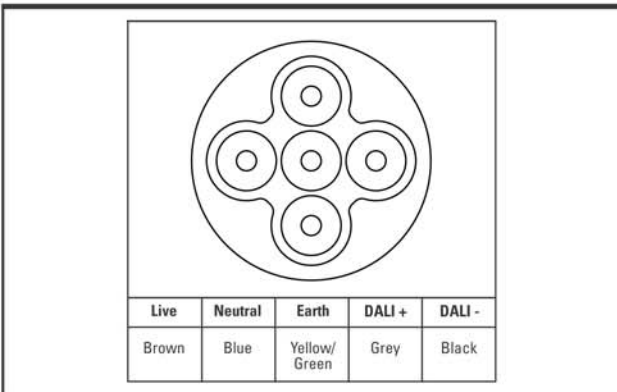
b. Twist the hood on the fixture connector.
c. Ensure you have a positive connection.

3.



Interconnect up to 60 meters of fixture per starter lead:
a. Remove the connector cap on the female side on all fixtures that are to be interconnected except for the very last fixture.
b. Repeat step 2a-2c to interconnect fixtures.
c. Ensure the last fixture of the run has the connector cap screwed on to seal the terminals.

4. DALI CONNECTION



Connect the open end of the starter lead to dali as above.
Max run length to be connected per starter lead: 60 meters.



Intralux Australia Pty Limited 23 Enterprise Street Richlands, Brisbane, Queensland, 4077, Australia
Tel: +61 7 3375 9333 Fax: +61 7 3375 9444 Email: info@intralux.com Web: www.intralux.com

Design and Trade Mark registrations pending. Intralux Products are designed and built to comply with appropriate International Standards. All brand names on this brochure are Trade Marks of their respective holders. Some of the images in this brochure are computer generated representations. Intralux Australia reserves the right to alter the designs and specifications of these products without notice.

DS-CLED02-EU October 2013 E&OE

