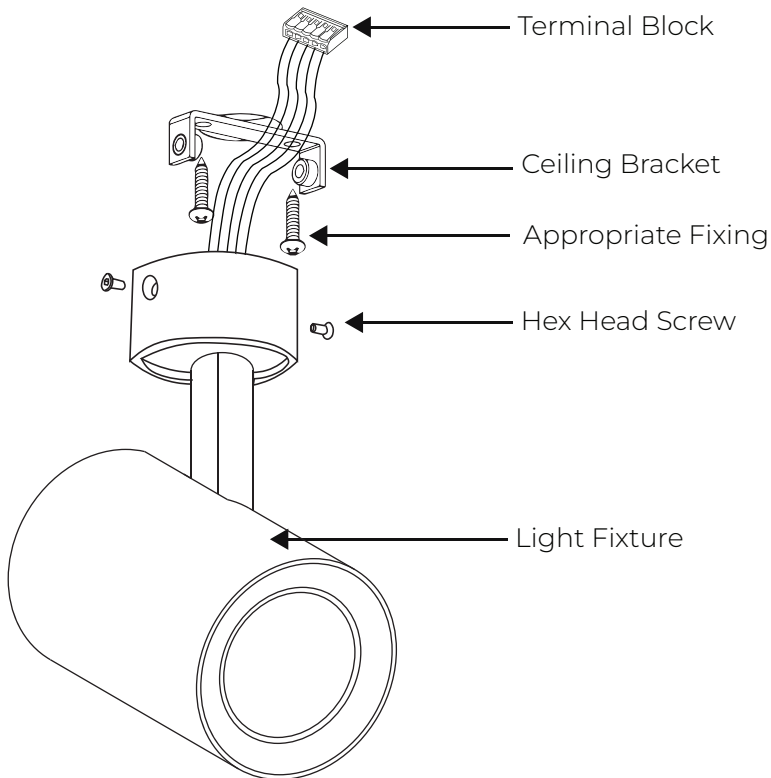
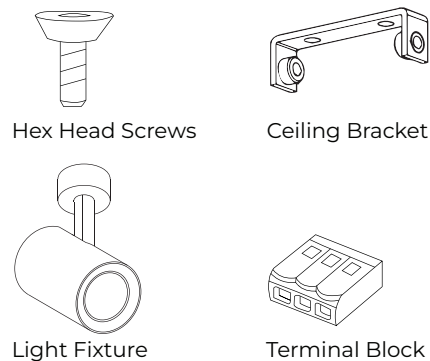


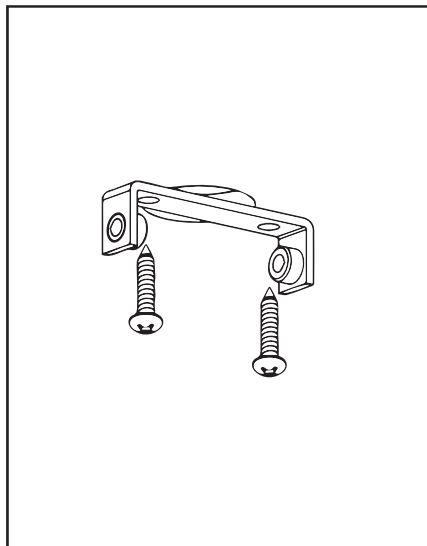
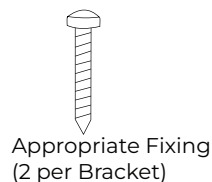
DATE	April 2025	CODE	<b>ENS-IS-T2</b>	<b>B</b>
------	------------	------	------------------	----------



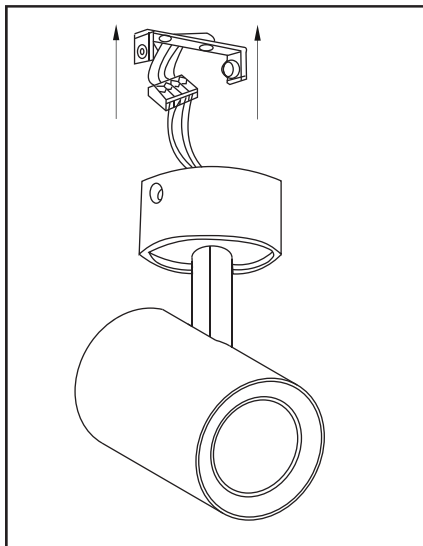
**SUPPLIED PARTS**



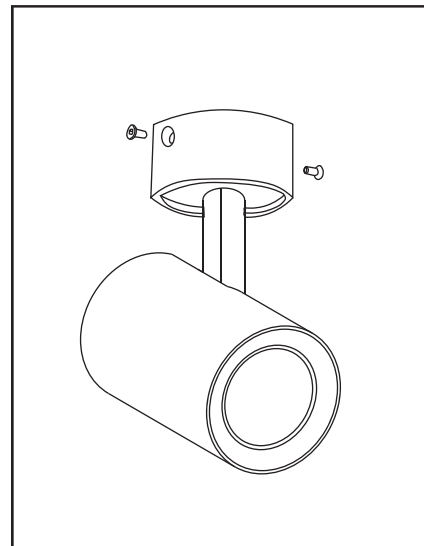
**REQUIRED FOR INSTALLATION**



1. Fasten the ceiling bracket to the ceiling using appropriate fixings. (Fixings not supplied)



2. Feed the cables through the opening in the ceiling and connect to building power.



3. Align the screw holes and fasten the light fixture to the ceiling bracket.

The installation is now complete.

WIRING GUIDE	Dimmable		Non Dimmable	
	DIM+	<b>Gray</b>	Neutral	<b>Blue</b>
DIM-	<b>Black</b>	Live	<b>Brown</b>	
Neutral	<b>Blue</b>	Earth	<b>Green/Yellow</b>	
Live	<b>Brown</b>			
Earth	<b>Green/Yellow</b>			