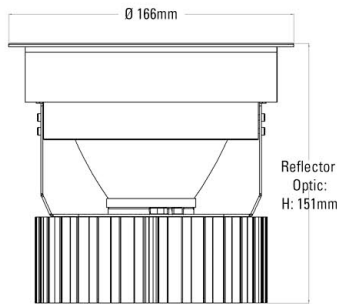
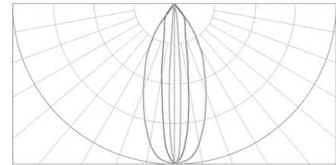


ENEPRO XICATO ADJUSTABLE - XL DOWNLIGHT

DATE	APRIL 2016	CODE	ENLEDXA-T2-1-EU	B
PROJECT			TYPE	



XL Model



XL Adjustable Model - Faceted Reflector:

LED Module Type	XTM Standard Series / XTM Vibrant Series / XTM Artist Series
LED Type	Xicato Corrected Cold Phosphor LED Module
Colour Consistency – Initial	1x2 step MacAdam (1x2 SDCM) along BBL (Vibrant - below BBL)
Colour Consistency – Maintained	C3/B10/F10 50,000 hrs
LED Warranty	5 Year Colour Consistency & Lumen Maintenance Warranty
LED Module Life	L_{30} - 50,000hrs
CRI XTM Standard Series	Ra: 83 (typical)
CRI XTM Vibrant Series	Ra: 83, R9: 16, R12: 62 (typical)
CRI XTM Artist Series	Ra: 98 (typical), R9 ≥ 90, R15 ≥ 95
LED Colour (K)	2700K / 3000K / 3500K / 4000K

Enepro X Adjustable is the newest addition to the **Enepro Xicato** luminaire product range, utilizing Xicato industry leading LED technology renowned for its colour consistency. Both the XS and XL **Enepro Xicato Adjustable** luminaires incorporate an effortless, 'no tool' adjustment mechanism that enables the beam direction to be adjusted between 0-25°, offering a variety of illumination possibilities for various architectural lighting applications. Using the same footprint as the existing **Enepro Xicato** family, the **Enepro Xicato Adjustable** is a valuable addition to the product range, offering specifiers added design flexibility.

Product Code	ENLEDXA-XL-13	ENLEDXA-XL-13V	ENLEDXA-XL-19	ENLEDXA-XL-19V	ENLEDXA-XL-15A	ENLEDXA-XL-17B	ENLEDXA-XL-29	ENLEDXA-XL-19V	ENLEDXA-XL-26A	ENLEDXA-XL-26B	ENLEDXA-XL-39	ENLEDXA-XL-39V	ENLEDXA-XL-34A	ENLEDXA-XL-46	ENLEDXA-XL-19V
LED Module Type	19mm XTM Standard	19mm XTM Vibrant ^{#3}	19mm XTM Standard	19mm XTM Vibrant ^{#3}	19mm XTM Artist	19mm XTM Beauty ^{#4}	19mm XTM Standard	19mm XTM Vibrant ^{#3}	19mm XTM Artist	19mm XTM Beauty ^{#4}	19mm XTM Standard	19mm XTM Vibrant ^{#3}	19mm XTM Artist	19mm XTM Standard	19mm XTM Vibrant ^{#3}
CRI (Typical)	83	83	83	83	98	95	83	83	98	95	83	83	98	83	83
Fixture Lumens ^{#1} <small>(lumens from specular medium beam fixture)</small>	1266	1266	1700	1700	1190	1190	2550	2550	1700	1700	3400	3400	2550	4250	4250
LED Module Lumens	1490	1490	2000	2000	1400	1400	3000	3000	2000	2000	4000	4000	3000	5000	5000
LED Module Wattage (W)	13.6	13.6	19.5	19.5	15.6	17.0	29.3	29.3	26.4	26.4	39.1	39.1	34.1	46.8	46.8
LED Module Efficacy (lm/W)	110	110	103	103	90	82	102	102	76	76	102	102	88	106	106
Ceiling Cutout Size (mm)	152														
Optics - (Specular)	N/A														
Optics - (Faceted)	Narrow: 12° (NF) / Medium: 19° (MF) / Wide: 38° (WF)														
Input Voltage	220-240V - 50/60Hz														
Dimming ^{#2}	Fixed Output (F) / DALI (DALI) / DSI (DSI) / DMX (DMX) / 1-10V Dimmable (1-10V)														

^{#1} Preliminary data values only. ^{#2} Dimming range limited by driver manufacturer. ^{#3} Only available in 3000K. ^{#4} Only available in 2700K.