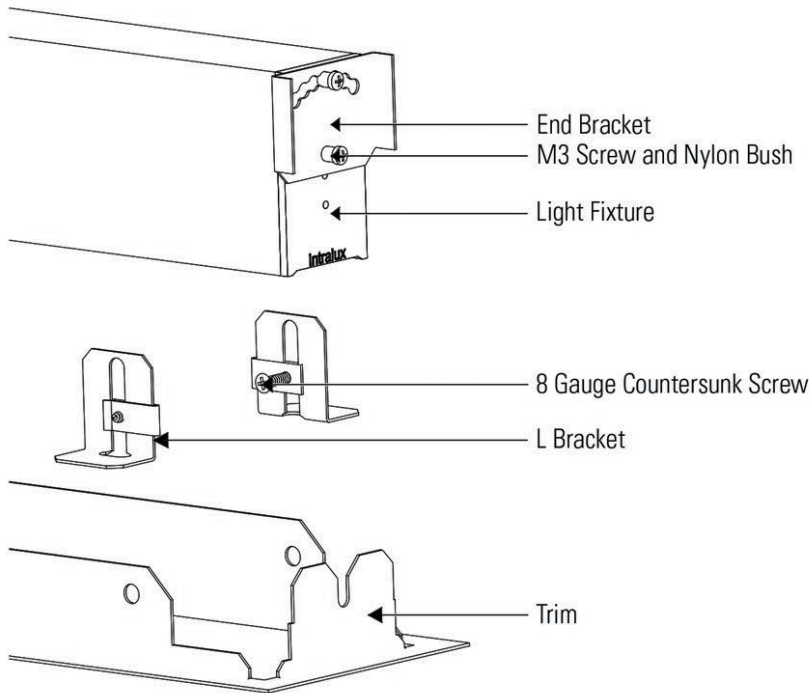
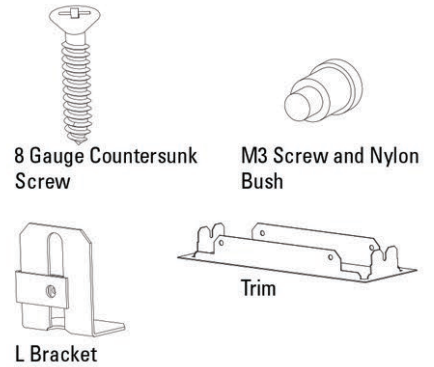


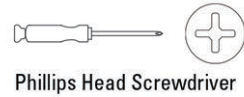
DATE	December 2019	CODE	FLEDA-I-1	C
PROJECT		TYPE		



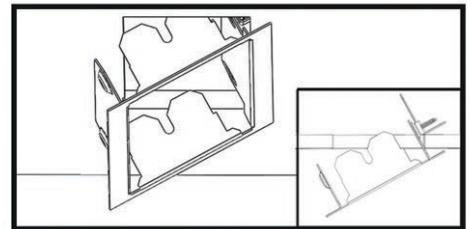
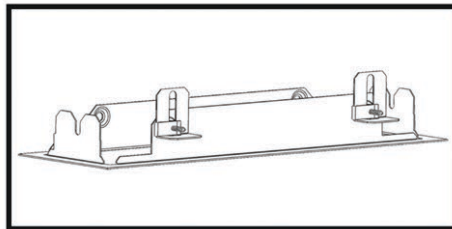
Supplied parts



Required for Installation



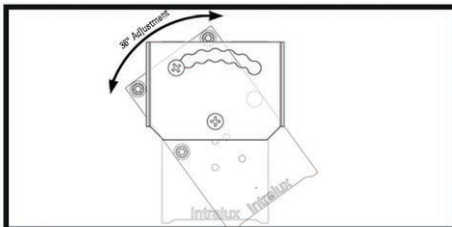
Luminaire	Length	Width
FLEDA-1X	299	80
FLEDA-2X	584	80
FLEDA-3X	873	80
FLEDA-4X	1161	80



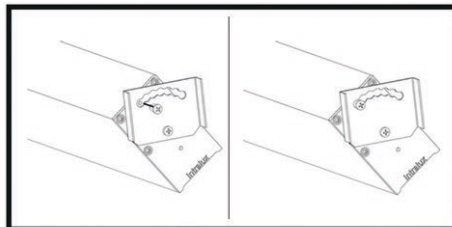
1. Cut hole in the ceiling. Refer to data above for recommended dimensions for cutout size.

2. Fasten L Brackets to the Trim using 8 gauge Countersunk Screws. Set them L Brackets to the maximum height.

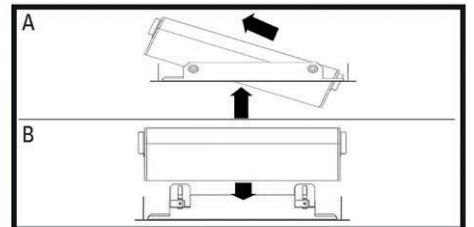
3. Push Trim through the cutout in the ceiling.



4. Adjust End Bracket to required fixture angle, ensure both End Brackets are aligned.



5. Lock End Bracket in place with Nylon Bush and M3 Screw



6. A. Lift Fixture through the Trim Kit on an angle to allow for Fixture to fit through.

B. Lower the Fixture down carefully into place, the Fixture will centre itself.