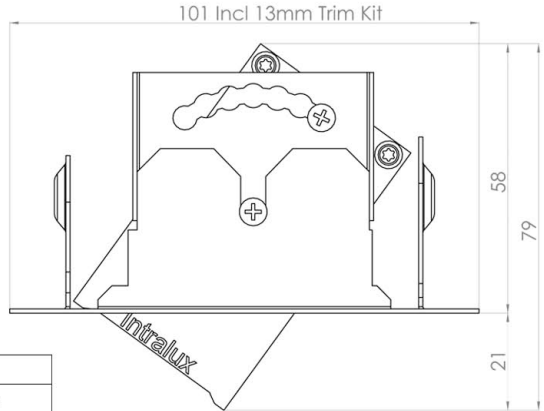




FLARE LED ADJUSTABLE LINEAR DOWNLIGHTER

DATE	October 2017	CODE	FLEDA-T1-1	B
PROJECT		TYPE		



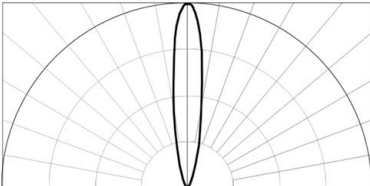
LED Module Type	Nichia 757
Calculated LED Module Life	L ₇₀ (9K): 50,000 hours
LED Module Wattage HE / HO	7W / 11W
CRI	90 min
LED Colour (K)	2700K / 3000K / 4000K
Fixture Lumens/m - HE/HO (narrow beam)	1,251 / 1,807
IP Rating	IP40
Max. Verified Ambient Temperature	40°C
Over Temperature Cutout Protection	70°C

Flare LED is a fully integrated recessed linear fixture utilising a specifically manufactured PCB designed in conjunction with Nichia. Utilising specialty matched optics **Flare LED** offers various beam options for ultimate light control and application flexibility. The louver optics assist with ultra low glare control.

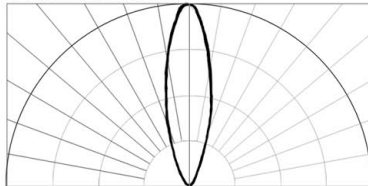
Product Code	FLEDA-1x7	FLEDA-2x7	FLEDA-3x7	FLEDA-4x7	FLEDA-1x11	FLEDA-2x11	FLEDA-3x11	FLEDA-4x11
High Efficiency / High Output	HE	HE	HE	HE	HO	HO	HO	HO
Fixture Length (mm) incl. trim kit	322	609	898	1183	322	609	898	1183
LED Module Configuration	1 x 7W	2 x 7W	3 x 7W	4 x 7W	1 x 11W	2 x 11W	3 x 11W	4 x 11W
Fixture Lumens (using narrow beam)	713	1,425	2,138	2,851	1,030	2,061	3,091	4,121
Fixture Wattage	7W	14W	21W	28W	11W	22W	33W	44W
Fixture System Amps	0.03	0.06	0.09	0.12	0.06	0.1	0.15	0.19
Input Voltage	220-240V - 50/60Hz							
Fixture Efficacy (lm/W) HE/HO	124 / 114							
Beam Options	Narrow 21° / Medium 27° / Wide 46°							
Factory Set Adjustment Angle	0° Straight Down (0) / 12° (12) / 24° (24) / 36° (36)							
Housing Material & Finish	Anodized Black Fixture w. Satin Black Trim (BB) / Anodized Black Fixture w Pearl White Trim Kit (BW) Pearl White Powder coated Fixture w Satin Black Trim Kit (WB) / Pearl White Powder Coated fixture w Pearl White Trim Kit (WW)							
Dimming and Control Options	Fixed Output (F) / 1-10 (1-10) / DALI (DALI)**							

* Calculated data values only. ** Dimming range limited by driver manufacturer

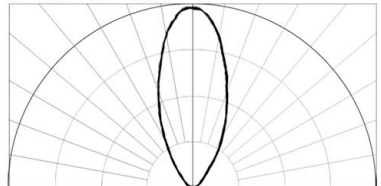
21° Narrow Beam with Louver



27° Medium Beam with Louver



46° Wide Beam with Louver



Intralux

Intralux Australia 10/31 Acanthus Street, Darra, QLD 4076 Australia
Tel: +61 7 3375 9333 Fax: +61 7 3375 9444 Email: info@intralux.com Web: www.intralux.com

Design and Trade Mark registrations pending. Intralux Products are designed and built to comply with appropriate International Standards. All brand names on this brochure are Trade Marks of their respective holders. Some of the images in this brochure are computer generated representations. Intralux Australia reserves the right to alter the designs and specifications of these products without notice.

20171018 E&OE

