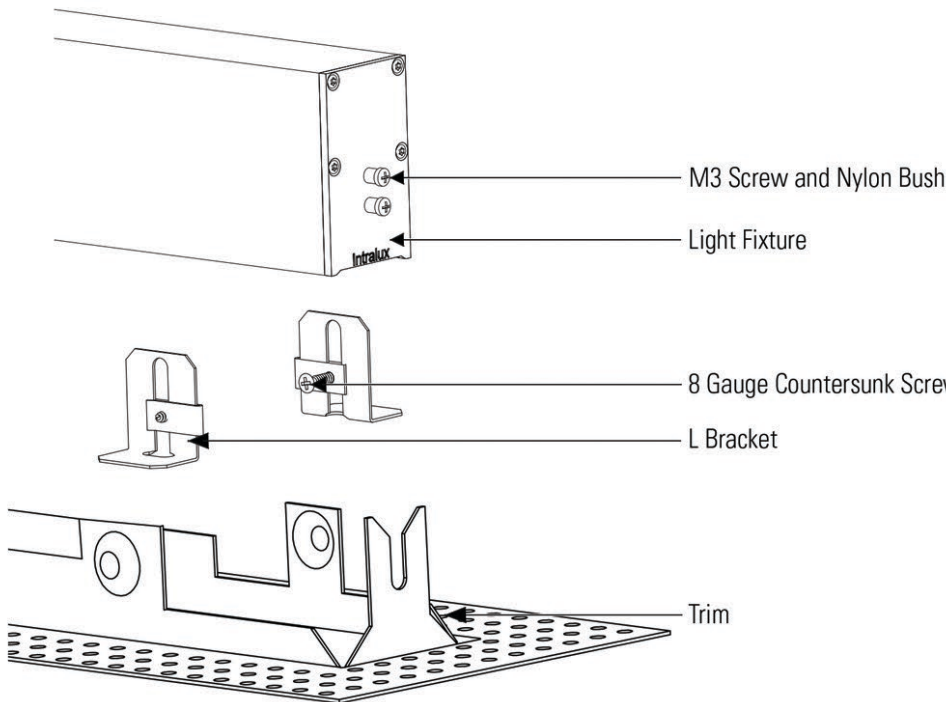
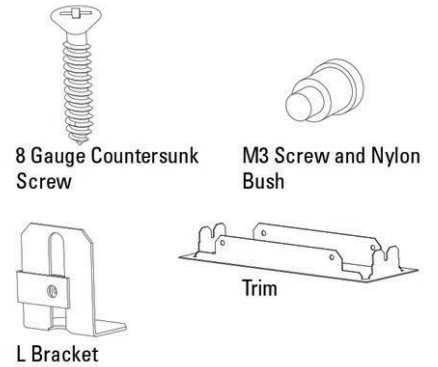


DATE	December 2019	CODE	FLEDT-I-1	C
PROJECT		TYPE		



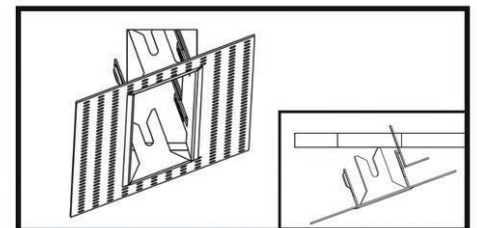
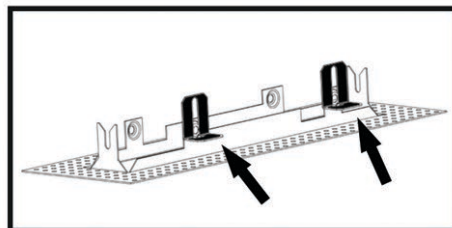
Supplied parts



Required for Installation



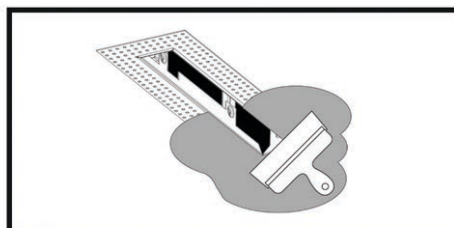
Luminaire	Length	Width
FLEDT-1X	299	48
FLEDT-2X	586	48
FLEDT-3X	873	48
FLEDT-4X	1161	48



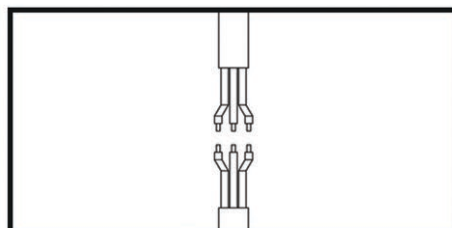
1. Cut hole in the ceiling. Refer to data above for recommended dimensions for cutout size.

2. Fasten L Brackets to the Trim using 8 gauge Countersunk Screws. Set them L Brackets to the maximum height.

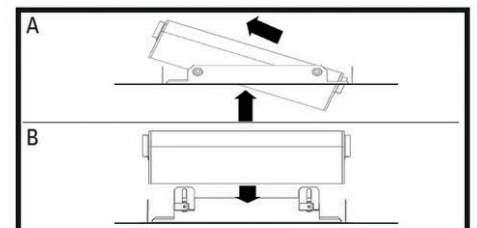
3. Push Trim through the cutout in the ceiling.



4. Now the trim kit is sitting loosely in the ceiling, initiate plastering the trim kit into ceiling surface.



5. Once plastering process is complete, connect input cable to building wiring.



6. A. Lift Fixture through the Trim Kit on an angle to allow for Fixture to fit through.

B. Lower the Fixture down carefully into place, the Fixture will centre itself.