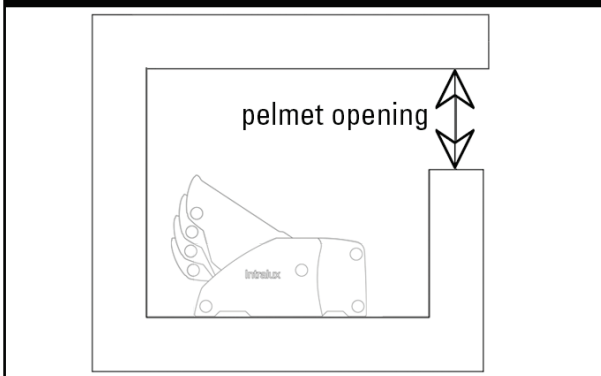
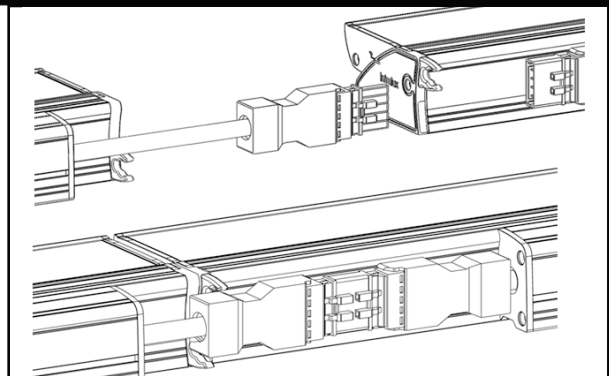


DATE	March 2014	CODE	DS-KLLED01-EU	A
PROJECT		TYPE		

1. MODULE LOCATION

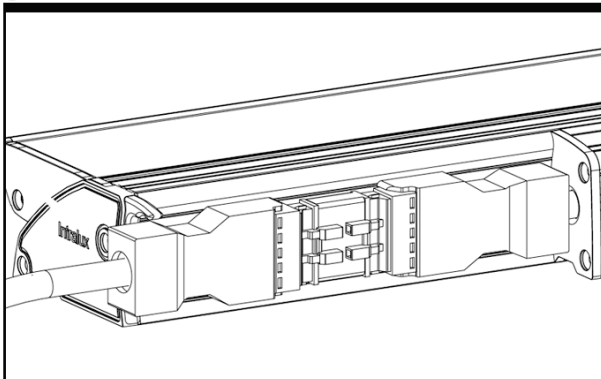


2. ININTERCONNECT MODULES



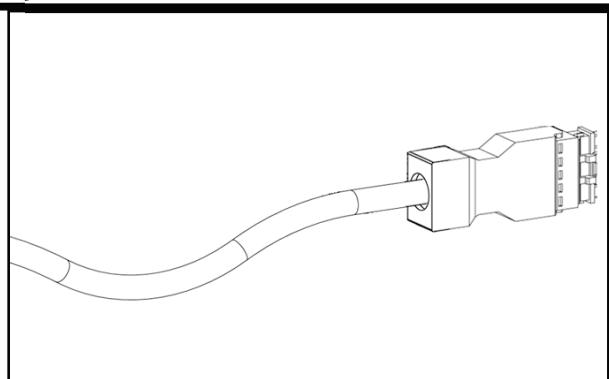
- A. Connecting modules utilising the 'plug + go' connection system.
- B. Line up the socket with the plug on the Kove LED fixture.
- C. Push the two connectors together.
- D. Ensure you have a positive connection.

3. POWER SUPPLY CONNECTION



A. Connect the starter lead to the first module of the run length.

3.

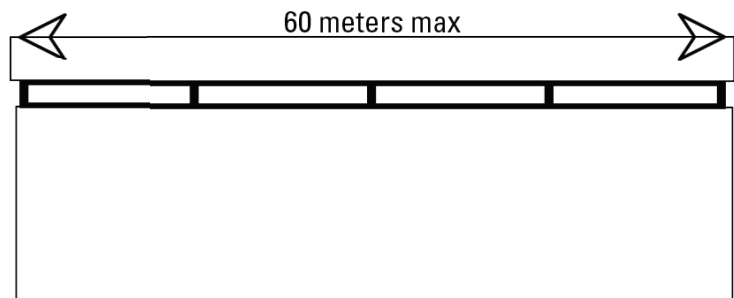


- B: Connect the open end of the starter lead to push dim/DALI as follows:
- a. Brown - Active
 - b. Blue - Neutral
 - c. Green/Yellow - Earth
 - d. Grey - Dim (+)
 - e. Black - Dim (-)

CAUTION:

Split circuits to be utilised on long runs. Maximum interconnected run length should not exceed 60 meters.

Fixture Amps:
 KLLED-112 - 0.06A
 KLLED-512 - 0.30A

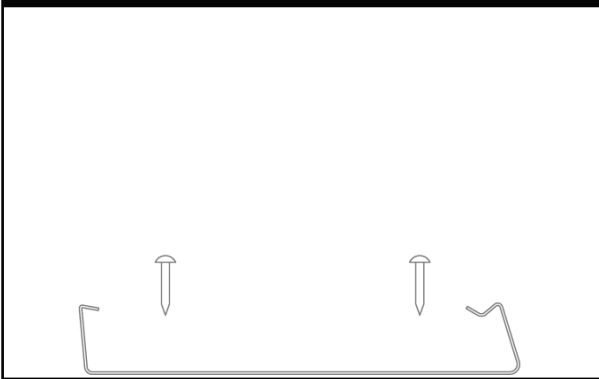


KOVE LED MOUNTING CLIP

INSTALLATION GUIDE - Utilising the Mounting Clip (KLED-MC1)

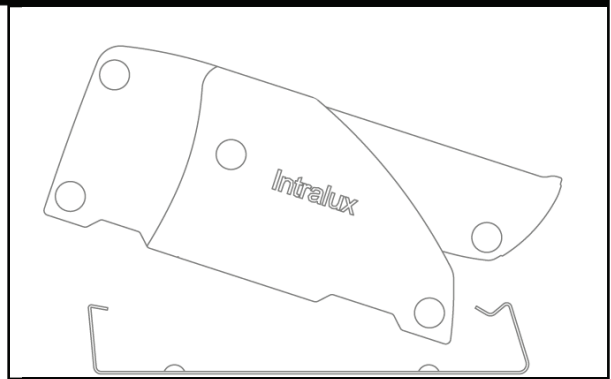
DATE	March 2014	CODE	DS-KLED02-EU	A
PROJECT		TYPE		

1.



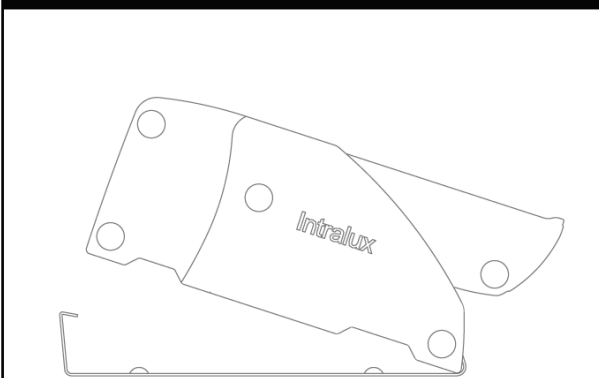
Install screws through the two holes in the mounting bracket to secure to surface. Screw head height to be 4mm. (Screws not supplied.)

2.



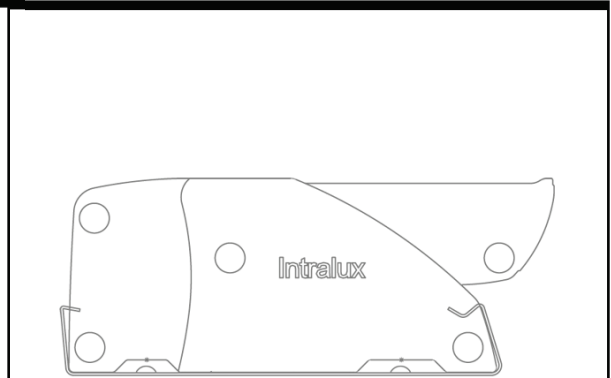
Tilt the fixture backward and push until the rear of the bracket engages.

3.



Pivot the front down and push firmly to engage the front of the bracket.

4.

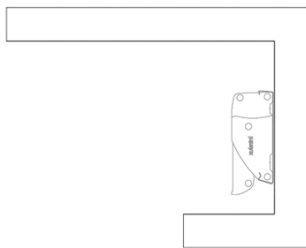


Press up and inward on the front leg of the mounting bracket ensuring that the end seats firmly in the corresponding channel.

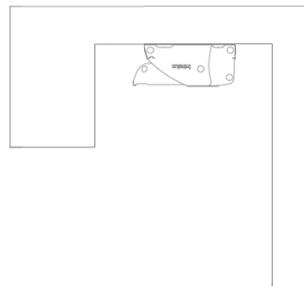
KLED-MC1 is an optional accessory that can be ordered separately for particular installation applications.

2 x KLED-MC1 required for KLED-112

4 x KLED-MC1 required for KLED-512



on edge



upside down



vertical