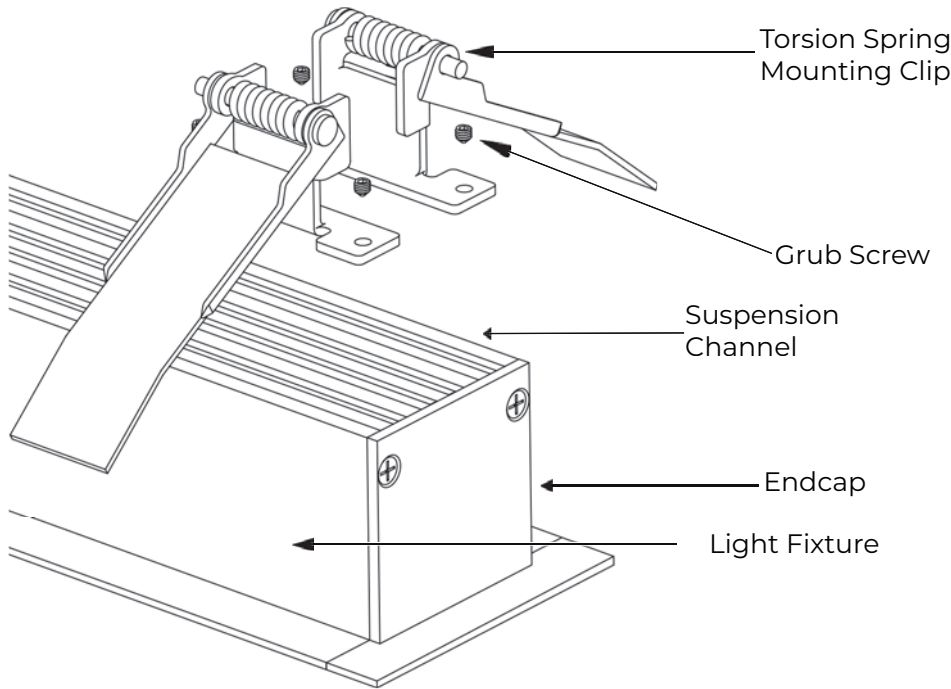
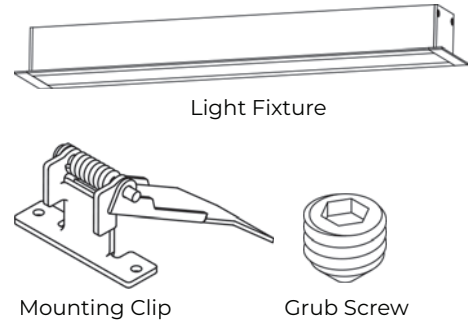


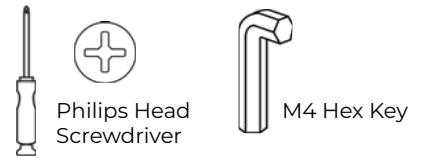
| | | | | |
|------|------------|------|--------------------|----------|
| DATE | April 2024 | CODE | KLLED-M-I-6 | D |
|------|------------|------|--------------------|----------|



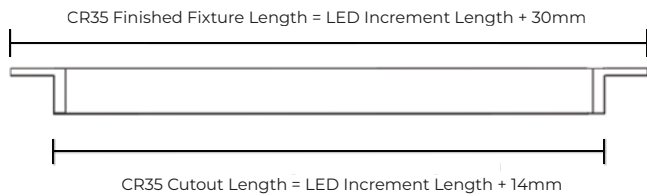
SUPPLIED PARTS



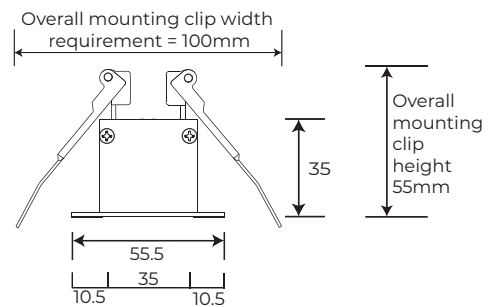
REQUIRED FOR INSTALLATION



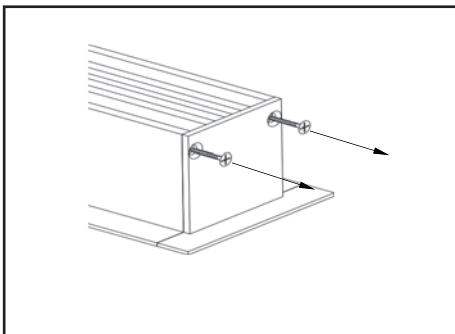
Cut Out Length Calculations



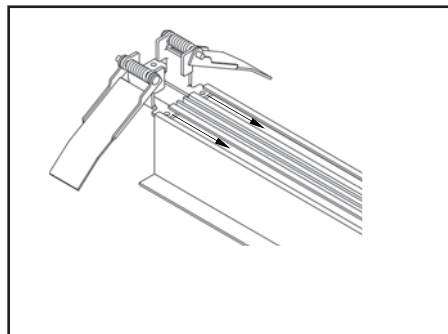
Critical Profile Dimensions:



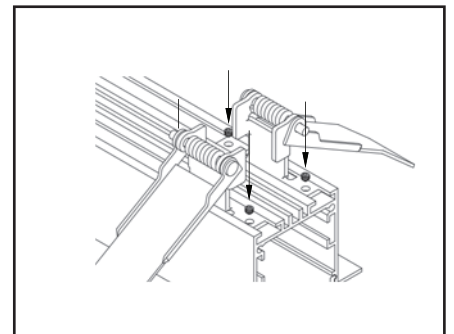
Dimensions in mm.



1. Remove one Endcap by unscrewing Philips Head Screws located on the Endcap.



2. Slide Torsion Spring Mounting Clips into the Suspension Channel.

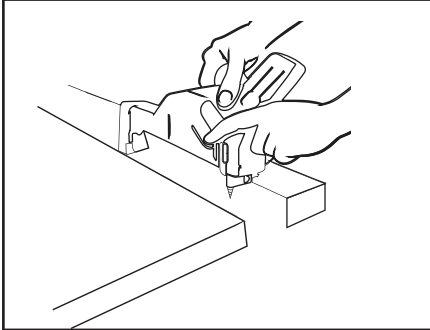


3. Fasten Torsion Spring Mounting Clips with supplied Grub Screws.

Mounting Clip suggestions

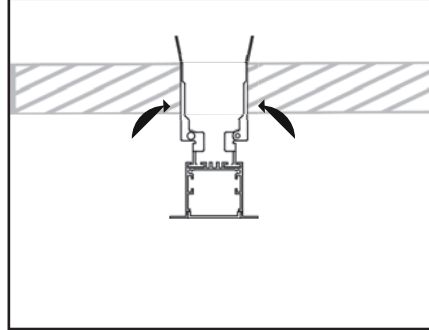
- 0-1000mm = 2 Mounting Clips
- 1050- 1550mm = 3 Mounting Clips
- 1550- 2050mm = 4 Mounting Clips
- 2050- 2550mm = 5 Mounting Clips

| | | | | |
|------|--------------|------|--------------------|----------|
| DATE | January 2022 | CODE | KLLED-M-I-6 | C |
|------|--------------|------|--------------------|----------|



4. Cut a slot in the mounting surface as per cutout length instructions above.

Slot Dimensions:
Width: 57mm
Depth: 35mm

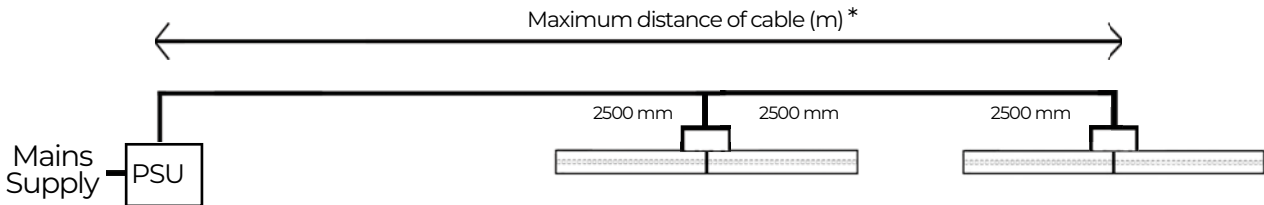


5. Squeeze Torsion Spring Mounting Clips together and slide up through the slot created until Light Fixture is flush to the mounting surface.

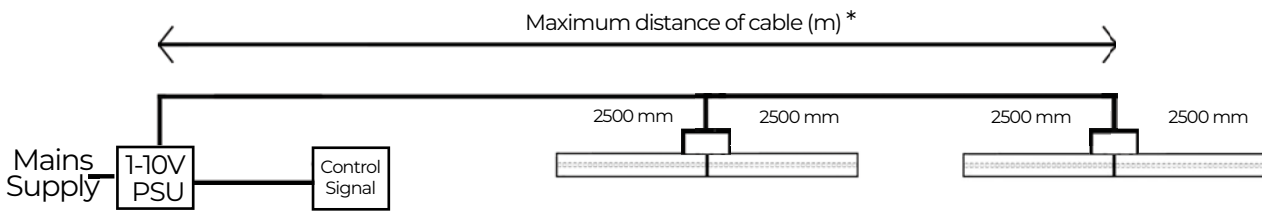
The Installation is now complete.

| | | | | |
|------|-----------|------|---------------------|----------|
| DATE | June 2022 | CODE | KLLED-M-I-10 | D |
|------|-----------|------|---------------------|----------|

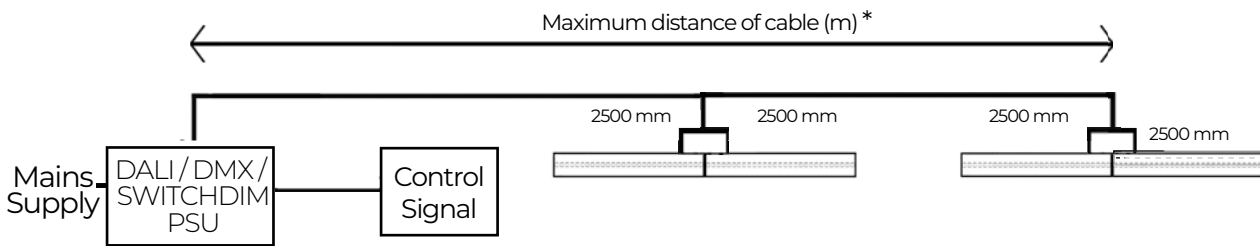
FIXED OUTPUT - TYPICAL WIRING CONFIGURATION



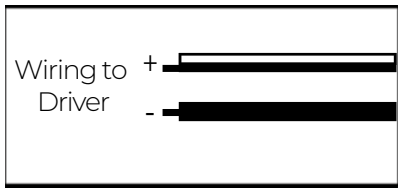
1-10V - TYPICAL WIRING CONFIGURATION



DALI / DMX / SWITCHDIM - TYPICAL WIRING CONFIGURATION USING SINGLE CHANNEL DRIVER



| | | |
|--|---------------------|-----------|
| * Power supply unit (PSU) output cable size (mm ²) / Max distance (m) recommendations: | 0.5mm ² | 9 metres |
| | 0.75mm ² | 14 metres |
| | 1.0mm ² | 19 metres |
| | 1.5mm ² | 28 metres |

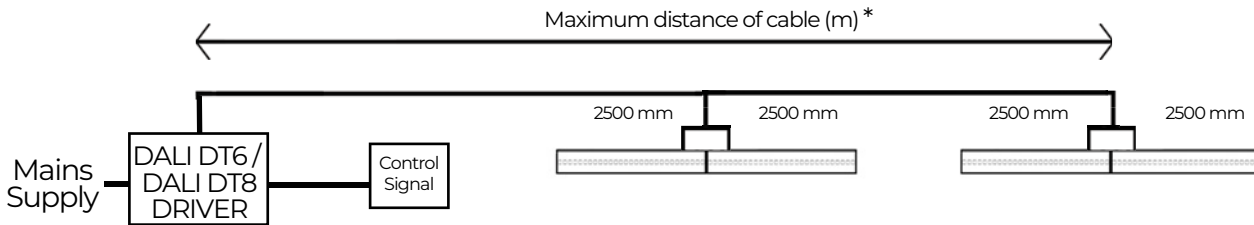


CAUTION:

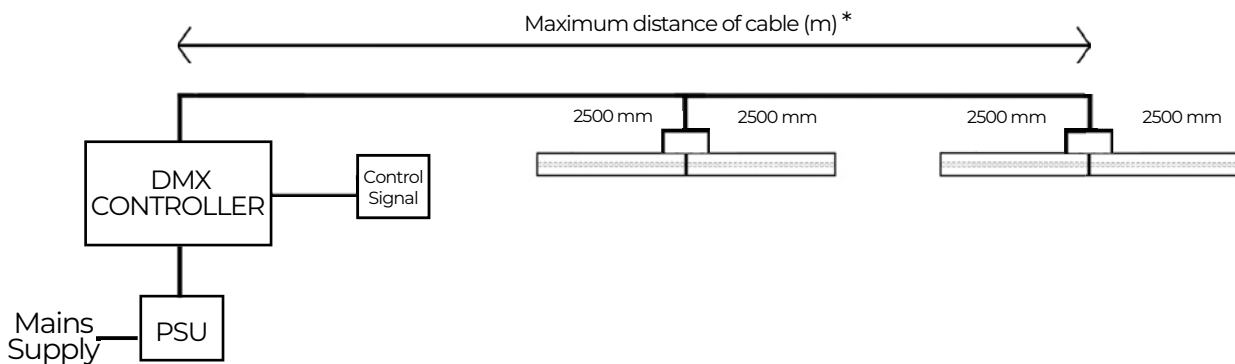
If requiring more than 2.5 metres of Kove LED Mini interconnected, use a centre feed driver installation method.

| | | | | |
|------|---------------|------|---------------------|----------|
| DATE | November 2022 | CODE | KLLED-M-I-11 | E |
|------|---------------|------|---------------------|----------|

DALI DT6 / DALI DT8 - RGBW AND TUNABLE WHITE - TYPICAL WIRING CONFIGURATION USING DALI DRIVER



DMX - RGBW AND TUNABLE WHITE - TYPICAL WIRING CONFIGURATION USING DRIVER AND DMX CONTROLLER



| | | | |
|--|---------------------|-----------|---|
| * Power supply unit (PSU) output cable size (mm ²) / Max distance (m) recommendations: | 0.5mm ² | 9 metres | Tunable White Wiring Guide: 24V = Red Warm White = Black Cool White = Yellow |
| | 0.75mm ² | 14 metres | |
| | 1.0mm ² | 19 metres | |
| | 1.5mm ² | 28 metres | |



CAUTION:

To avoid voltage drop, ensure no more than 5000mm of Kove LED Mini is connected together off the one power feed. For longer runs use multiple powerfeeds via a terminal block.