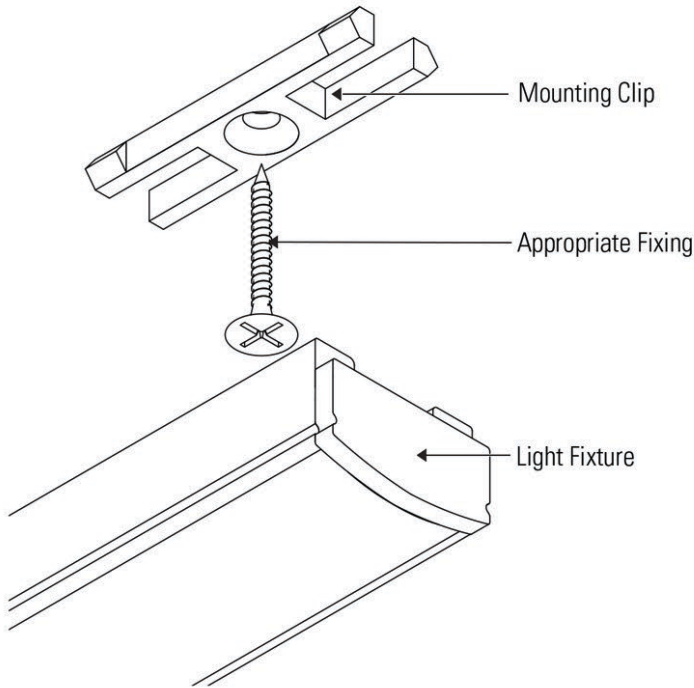
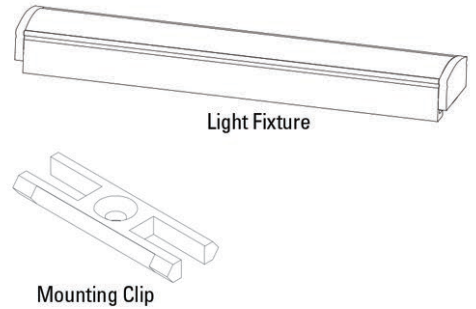


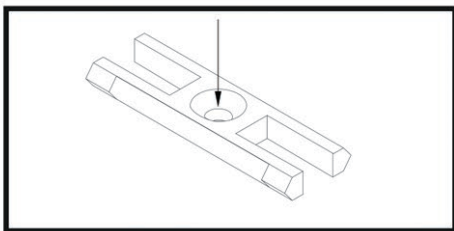
DATE	June 2019	CODE	KLED-M-I-2	A
PROJECT			TYPE	



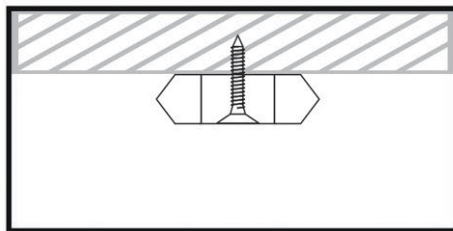
Supplied parts



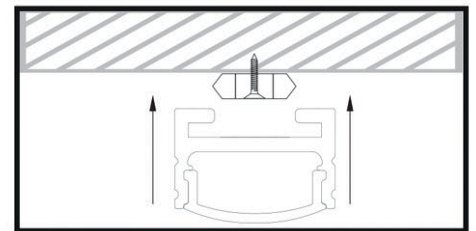
Required for Installation



1. Mark and pre-drill screw holes.



2. Fasten the Mounting Clips using an Appropriate Fixing.



3. Press the Light Fixture down onto the Mounting Clip until you hear a distinct "Click"

Mounting Clip suggestions

- 1m = 3 Mounting Clips
- 2.5m = 5 Mounting Clips
- 5m = 10 Mounting Clips

NOTE:
Screw Heads must be flush with the face of the Mounting Clip.

The Installation is now complete.