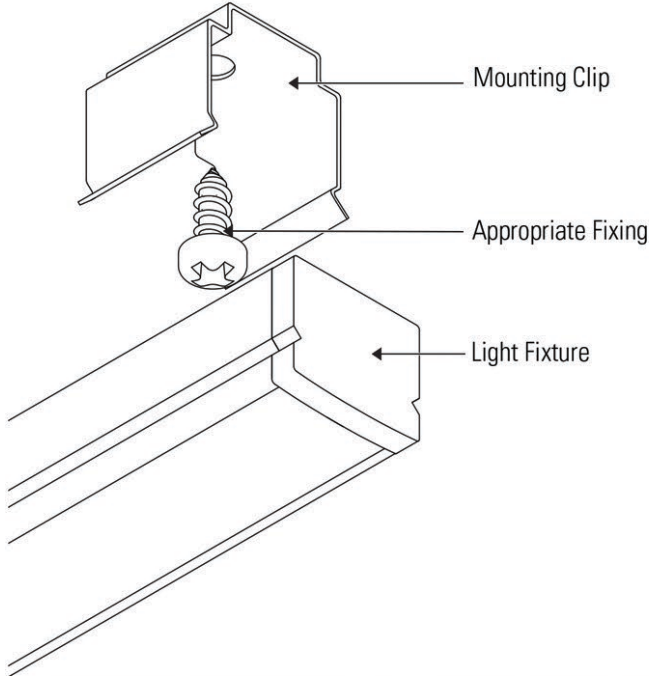
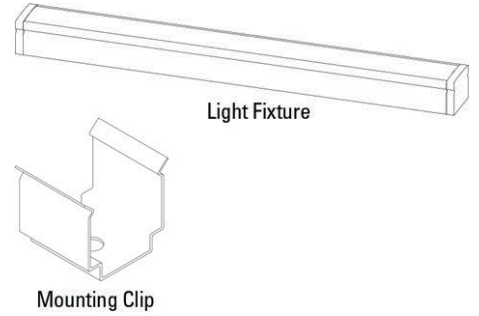


DATE	June 2019	CODE	KLLED-M-I-1	A
PROJECT		TYPE		

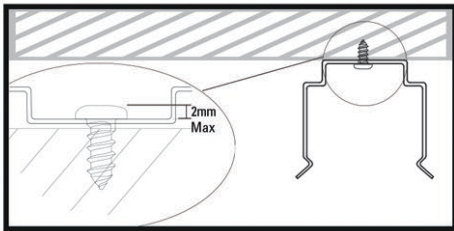
Supplied parts



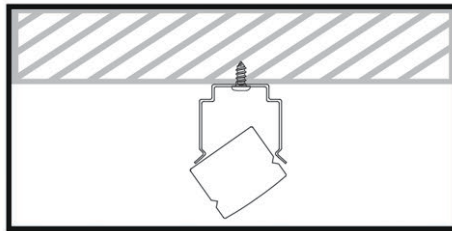
Required for Installation



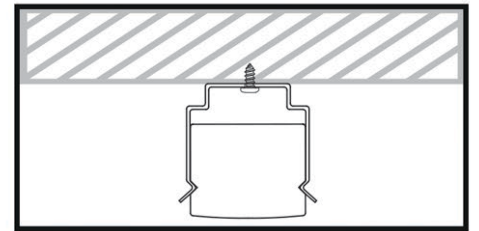
Appropriate Fixing
(1 per Bracket)



1. Mark and pre-drill screw holes prior to inserting mounting screws through mounting clips.



2. Tilt the fixture and push into rear of bracket to engage. Mounting clip will flex to fit.



3. Pivot the front down and push firmly to engage the front of the bracket and snap-fit.

Installation is now complete.

Mounting Clip suggestions

- 1m = 3 Mounting Clips
- 2.5m = 5 Mounting Clips
- 5m = 10 Mounting Clips

NOTE:
Screw Heads **MUST NOT** extend more than 2mm past the Mounting Clip.