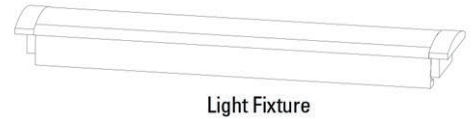
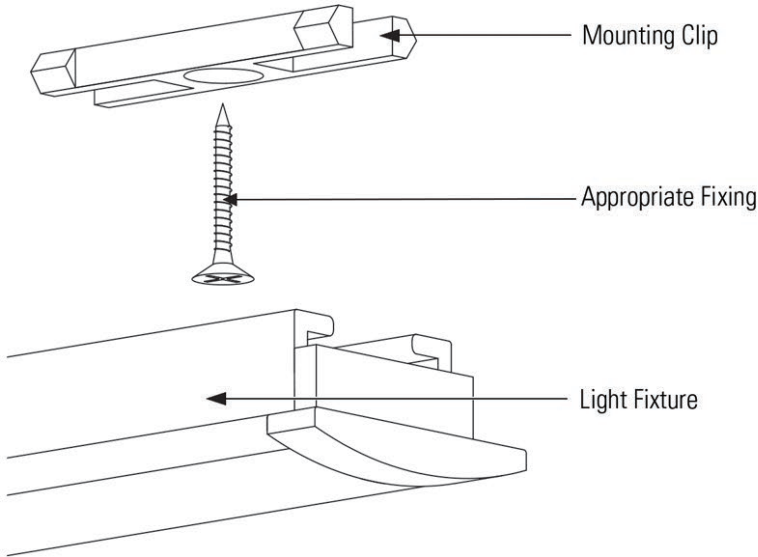
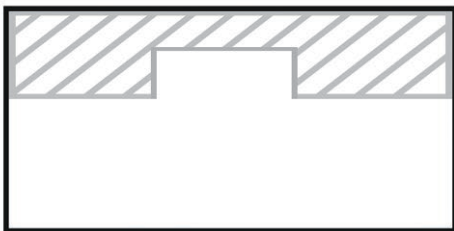


| | | | | |
|---------|-----------|------|------------|---|
| DATE | June 2019 | CODE | KLED-M-I-5 | A |
| PROJECT | | TYPE | | |

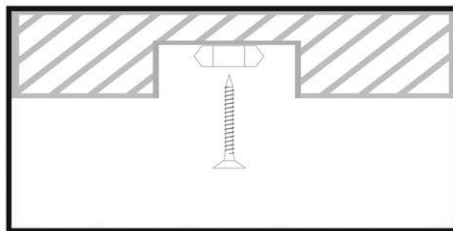
Supplied parts



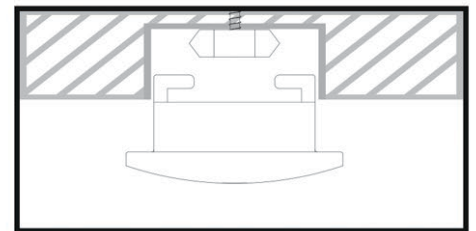
Required for Installation



1. For fully recessed mounting, create cutout 9mm deep and 19mm wide. See below for cutout length.



2. Mark and pre-drill screw holes prior to inserting mounting screws through mounting clips.



3. Press the Light Fixture down into the pocket until you hear a 'Click'.

The Installation is now complete.

Mounting Clip suggestions

- 1m = 3 Mounting Clips
- 2.5m = 5 Mounting Clips
- 5m = 10 Mounting Clips

NOTE:
Screw Heads must be flush with the face of the Mounting Clip.

