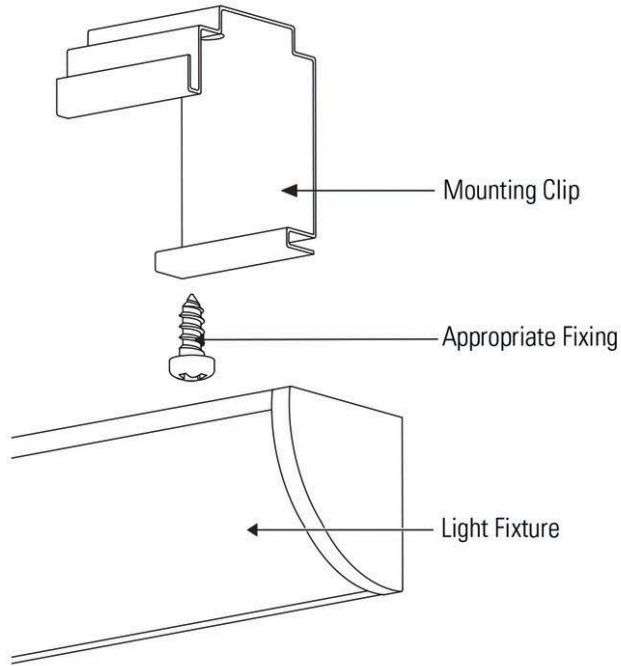
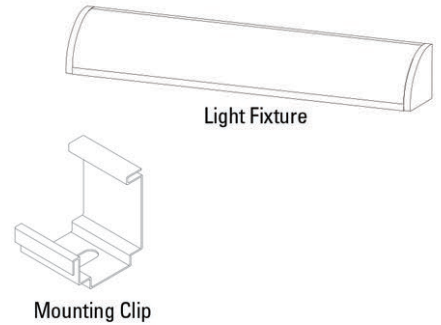


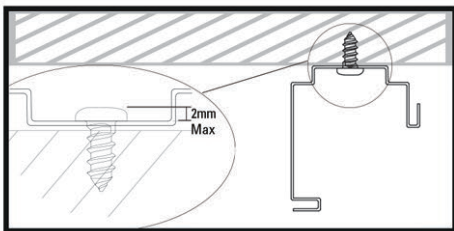
DATE	June 2019	CODE	KLED-M-I-7	A
PROJECT			TYPE	



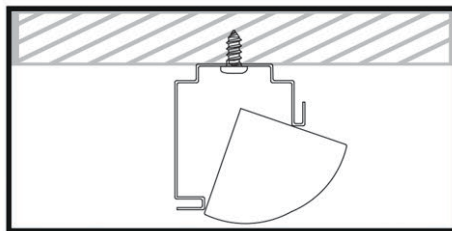
Supplied parts



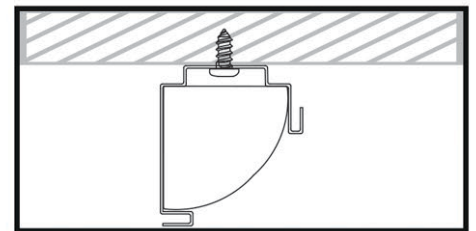
Required for Installation



1. Mark and pre-drill screw holes prior to inserting mounting screws through mounting clips.



2. Tilt the fixture and push into rear of bracket to engage. Mounting clip will flex to fit.



3. Pivot the front down and push firmly to engage the front of the bracket and snap-fit.

Installation is now complete.

Mounting Clip suggestions

- 1m = 3 Mounting Clips
- 2.5m = 5 Mounting Clips
- 5m = 10 Mounting Clips

NOTE:
Screw Heads MUST NOT extend more than 2mm past the Mounting Clip.