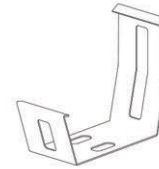


DATE	June 2019	CODE	KLLED-T-I-2	B
PROJECT		TYPE		

Supplied parts



Bracket

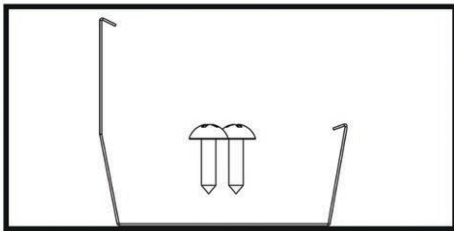
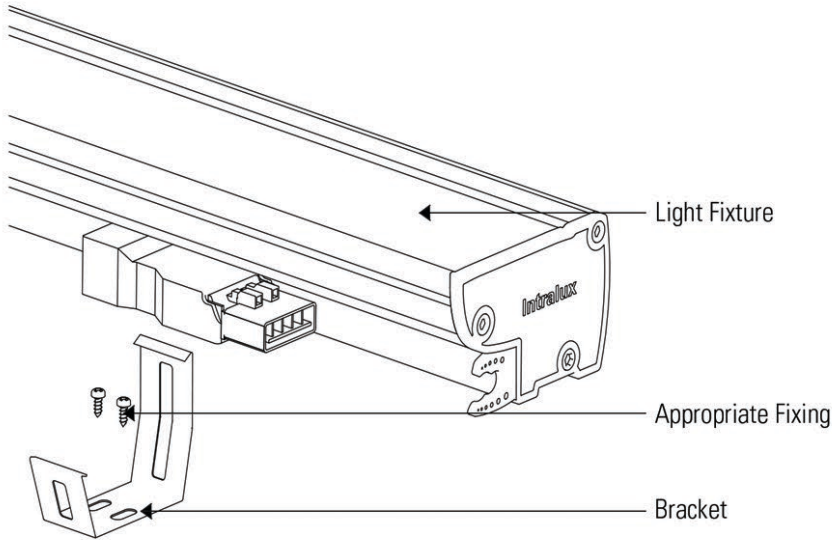
Required for Installation



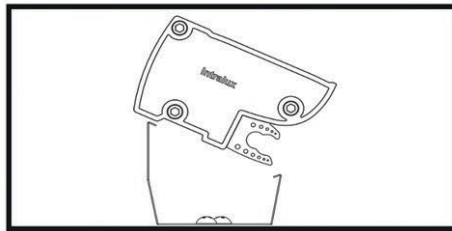
Appropriate Fixing
(2 per Bracket)



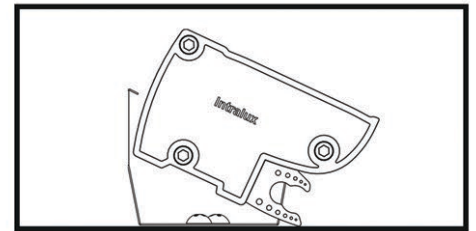
Philips Head
Screwdriver



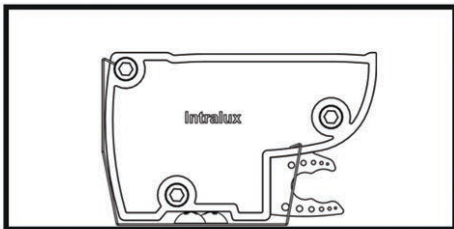
1. Install screws through the two holes in the mounting bracket to secure to surface. Screw head height is to be 4mm.



2. Tilt the fixture backward and push until the rear of the bracket engages.



3. Pivot the front down and push firmly to engage the front of the bracket.



4. Press up and inward on the front leg of the mounting bracket ensuring that the end seats firmly in the corresponding channel.