

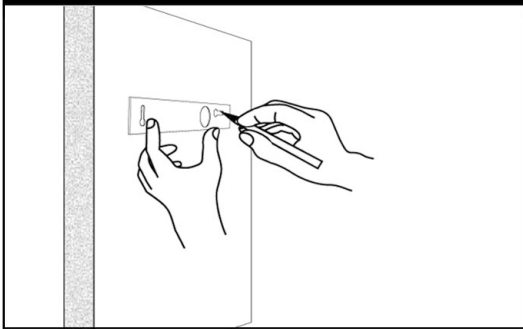


KOVE LED ZED

INSTALLATION GUIDE

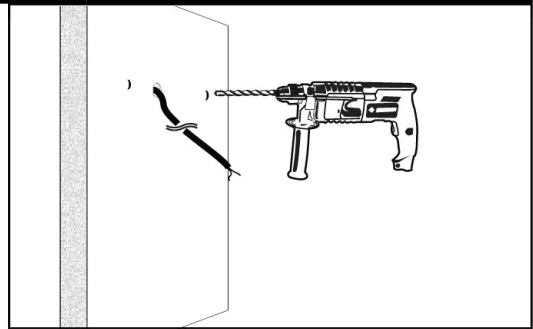
DATE	May 2018	CODE	DS-KLLED04-EU	A
PROJECT		TYPE		

1. PREPARING FOR MOUNTING THE FIXTURE



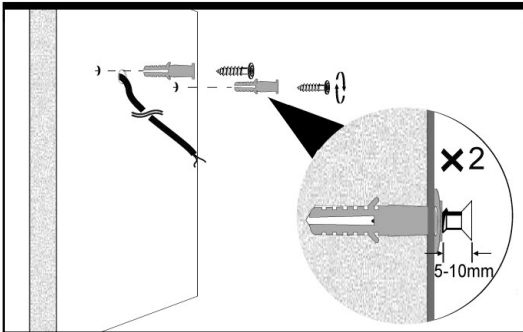
Using the Mounting Template provided, mark out the holes required.

2. DRILL MOUNTING HOLES



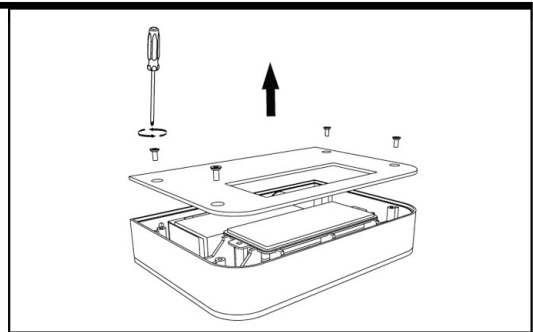
Drill the mounting holes.

3. INSERT WALL ANCHORS AND SCREWS



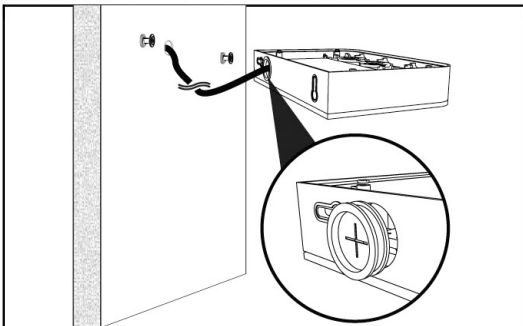
Insert appropriate wall anchors and attach screws most of the way in as pictured.

4. UNDO COVER



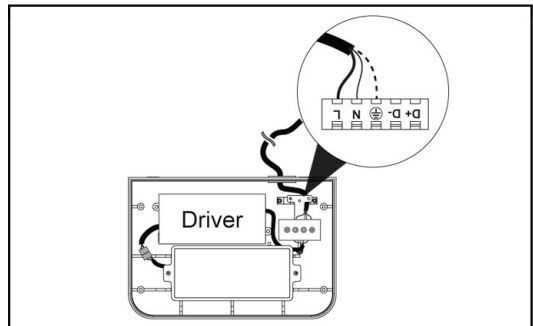
Using a hex head driver, undo the 4 cover screws and lift off cover.

5. POWER SUPPLY CONNECTION



Insert mains power supply through cable bushing.

6. WIRING



Complete wiring to terminal block as required.



Intralux Australia 10/31 Acanthus Street, Darra, QLD 4076 AUSTRALIA

Tel: +61 7 3375 9333 Fax: +61 7 3375 9444 Email: info@intralux.com Web: www.intralux.com

Design and Trade Mark registrations pending. Intralux Products are designed and built to comply with appropriate International Standards. All brand names on this brochure are Trade Marks of their respective holders. Some of the images in this brochure are computer generated representations. Intralux Australia reserves the right to alter the designs and specifications of these products without notice.

20180522 E&EO



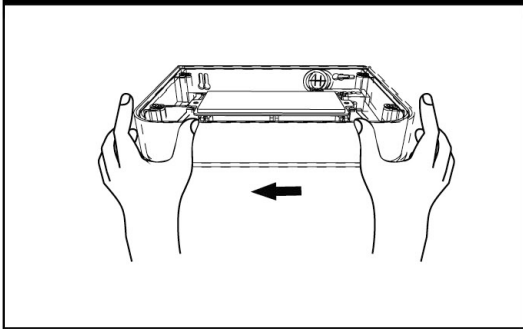


KOVE LED ZED

INSTALLATION GUIDE

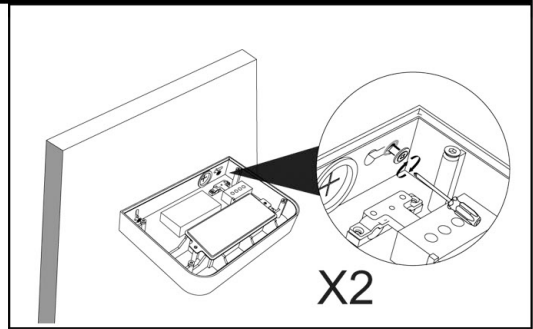
DATE	May 2018	CODE	DS-KLLED04-EU	A
PROJECT		TYPE		

7. MOUNTING THE FIXTURE



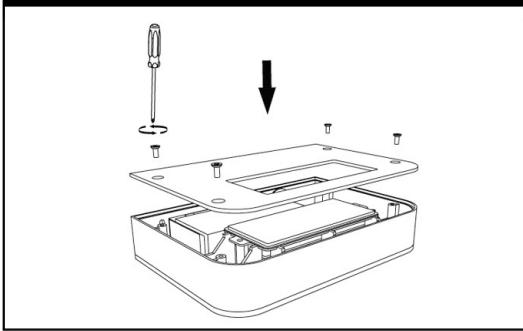
Insert fitting over the partially attached screw/fixings.

8. MOUNTING THE FIXTURE



Tighten the partially attached screws.

9. ATTACH COVER AND FINISH



- A. Replace the cover
- B. Using a hex head drive, reattach the 4 cover screws. **Do not overtighten!**
- C. Clean and check fitting is operational.



Intralux Australia 10/31 Acanthus Street, Darra, QLD 4076 AUSTRALIA
Tel: +61 7 3375 9333 Fax: +61 7 3375 9444 Email: info@intralux.com Web: www.intralux.com

Design and Trade Mark registrations pending. Intralux Products are designed and built to comply with appropriate International Standards. All brand names on this brochure are Trade Marks of their respective holders. Some of the images in this brochure are computer generated representations. Intralux Australia reserves the right to alter the designs and specifications of these products without notice.

20180522 E&EO

