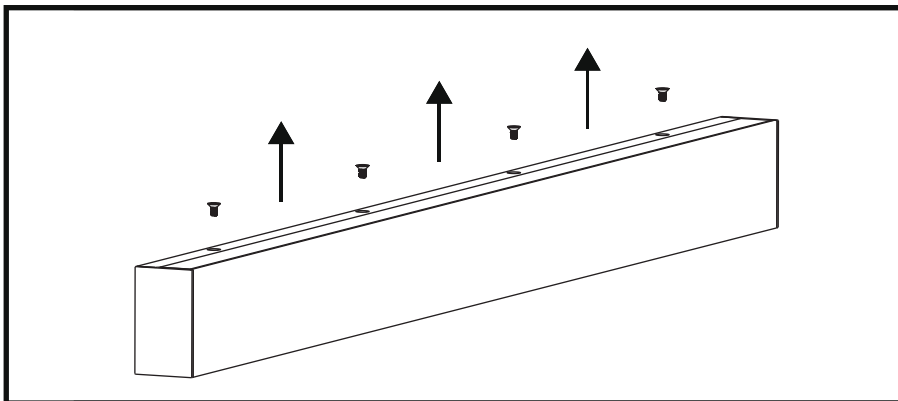
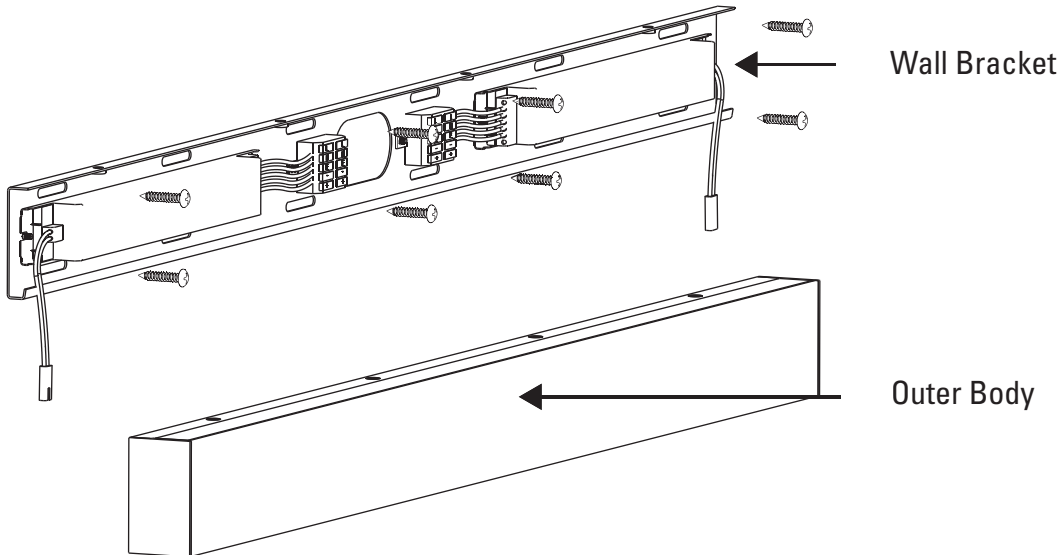
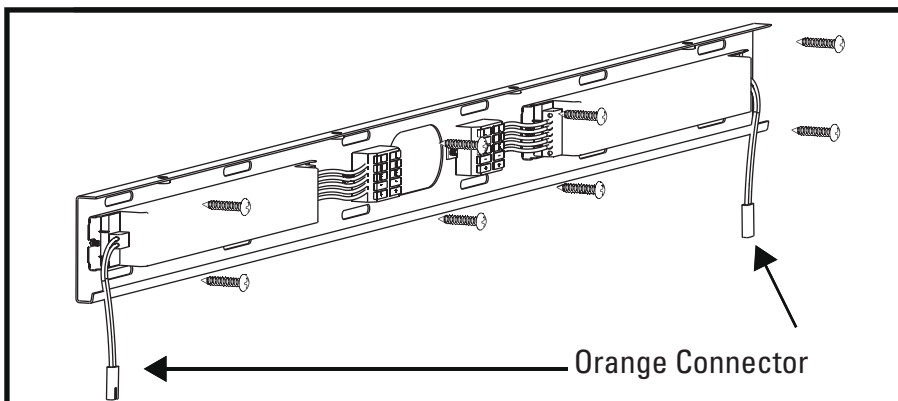


| | | | | |
|---------|-------------|------|---------|---|
| DATE | August 2023 | CODE | LL-IS-1 | B |
| PROJECT | | TYPE | | |

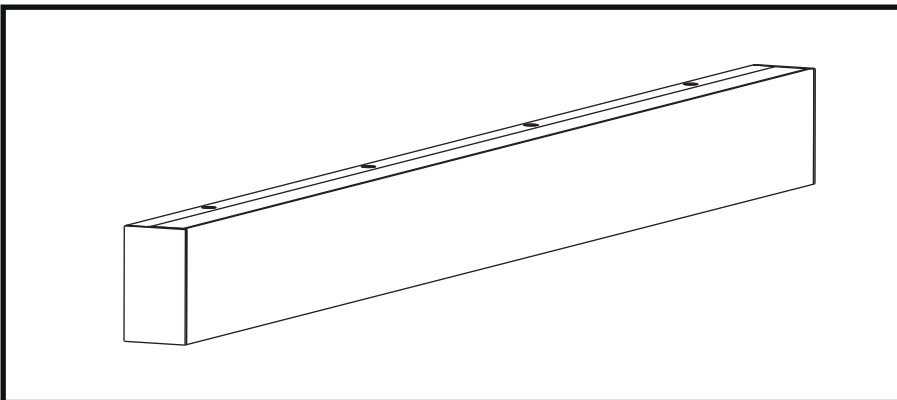
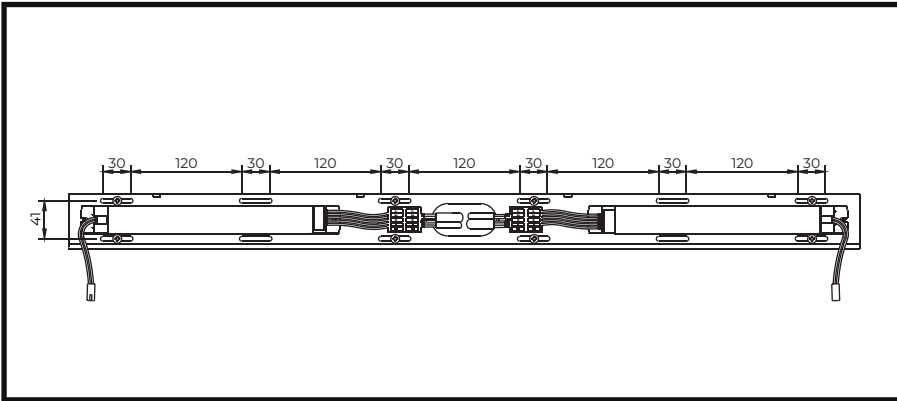


1. Loosen the 4 hex screws on top of the fitting to remove the gear tray.



2. Temporarily unplugging the orange connectors may assist with the installation, allowing the body to be separate from the wall bracket.

| | | | | |
|---------|-------------|------|---------|---|
| DATE | August 2023 | CODE | LL-IS-1 | B |
| PROJECT | | TYPE | | |



3. Attach the wall bracket using appropriate fixings. Intralux suggests a mounting height of 1700-1800mm AFFL, however this may vary depending on bed height and other factors – please consult the lighting engineer responsible for your project.

4. Make your wiring connections.

Live Brown
Neutral Blue
Earth Yellow/Green
Dim (+) White
Dim (-) Black

If they were temporarily unplugged in step 2, reattach the connectors and test the fitting for operation.

5. Attach the Outer body to the wall bracket by hooking the body under the bottom of the wall bracket, and reattaching the hex screws.

6. Your installation is now complete.