

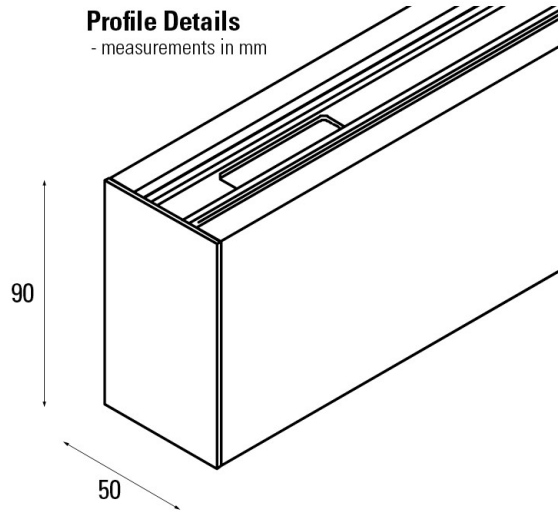
# VERSATILE VL9050 DIFFUSED LINEAR SYSTEM

DATE:	March 2019	CODE:	VL9050-T1	B
PROJECT:		TYPE:		



**Profile Details**

- measurements in mm



**Product Characteristics**

Calculated LED Module Life	L80 B10 > 72,000 hours
	L90 B10 > 38,000 hours
560mm LED PCB Wattage HE / HO	13W / 22W
CRI / TM-30 (3000K)	RA: 93 / Rf: 91 Rg: 98
Typical Fixture Lumens/m (Lms)	HE: 1,890 / HO: 2,784
LED Module Type	560mm PCB (as standard)
LED Colour Temperature (CCT)	2700K / 3000K / 4000K / Tunable White
Max. Verified Ambient Temperature	40°C
Max. Interconnectable Run Length #1	50 metres
Electrical Connection Type	'Plug+Go' interconnect

#1 - Dependent on module configuration

Input Voltage	220-240V - 50/60Hz
Input Cable Length	5m as standard - other lengths by request
Weight/metre (kgs)	2.9 kgs/m
Housing Material	Aluminium Extrusion with:
	Black Texture Powdercoat Finish (BT) /
	White Texture Powdercoat Finish (WT)
Mounting Options	Surface Mount (as standard) / Wall Mount
	Wire Suspended / Rod Suspended -
IP Rating	IP20
Environment	Dry - Indoor Use Only

**Module Characteristics**

VL9050 Standard Product Code	VL9050-1X13 -X-DOC	VL9050-2X13 -X-DOC	VL9050-3X13 -X-DOC	VL9050-4X13 -X-DOC	VL9050-5X13 -X-DOC	VL9050-1X22 -X-DOC	VL9050-2X22 -X-DOC	VL9050-3X22 -X-DOC	VL9050-4X22 -X-DOC	VL9050-5X22 -X-DOC
Total 'Stand Alone' Module Length (mm)	580	1,140	1,700	2,260	2,820	580	1,140	1,700	2,260	2,820
Total 'Interconnectable' Module										
Length (mm) No endcaps Included.	571	1,131	1,691	2,251	2,811	571	1,131	1,691	2,251	2,811
LED Module Configuration	1 x 13W	2 x 13W	3 x 13W	4 x 13W	5 x 13W	1 x 22W	2 x 22W	3 x 22W	4 x 22W	5 x 22W
Module Lumens *	1,058	2,116	3,174	4,232	5,290	1,589	3,178	4,767	6,356	7,945
Module Wattage	16.5	28.7	43.1	57.4	70.2	25.8	49.5	74.3	99.1	116.3
Module/Fixture System Amps (A) **	0.065	0.13	0.2	0.26	0.33	0.1	0.2	0.3	0.4	0.5

Notes: \* Calculated Data Values Only - Based on 90CRI 4000K \*\* Dependant on Module Configuration

Custom product lengths available in increments of 140mm

Diffused cover supplied in one (1) piece per run length - to be cut down accordingly on site.

**Compliance**

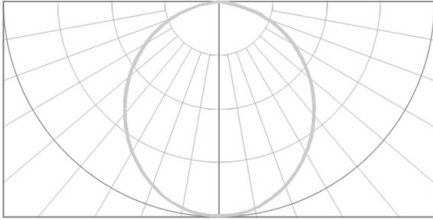
EN55015:2013+A1:2015  
 AS/NZS CISPR15:2017  
 IEC/EN 60598-1:2017  
 IEC/EN 60598-2-1:2014+A1:2015  
 AS/NZS: 1680.2.5:2018 (4000K only)



# VERSATILE VL9050 DIFFUSED LINEAR SYSTEM

DATE:	March 2019	CODE:	VL9050-T1	B
PROJECT:		TYPE:		

**Beam Options** - IES Files available at [www.intralux.com](http://www.intralux.com)



Diffused Opal Cover (DOC)

## Ordering Versatile LED

Module Type	Type 1: Starter Module <b>(1)</b> / Type 2: Interconnect Module <b>(2)</b> / Type 3: End Module <b>(3)</b> / Simple: Stand-alone Module <b>(S)</b>
Beam Options	Diffused Opal Cover <b>(DOC)</b>
Luminaire Exterior Finish	Black Texture Powdercoat <b>(BT)</b> / White Texture Powdercoat <b>(WT)</b> / Other Finishes available on a project basis.
CRI / LED Colour Temperature	90CRI 2700K <b>(927)</b> / 90CRI 3000K <b>(930)</b> / 90CRI 4000K <b>(940)</b> / Tunable White <b>(TW)</b>
Dimming & Control Options*	Fixed Output <b>(F)</b> / DALI Dim <b>(DALI)</b> / 1-10V Dim <b>(1-10V)</b>

## Module Types

- Type 1: Starter Module* - Used at the beginning of a run, housing the mains connection point. Inclusions: Mains Power Connection Point, 1 x End Cap, 1 x Joining Kit
- Type 2: Interconnect Module* - used as the interconnection unit for a continuous run. Inclusions: 1 x Joining Kit Only. No End Caps
- Type 3: End Module* - Used as the termination unit for the end of a continuous run. Inclusions: Mains Power Termination Point, 1 x End Cap
- Type S: Simple Module* - A stand-alone module - A single fixture installation. Inclusions: Mains Power Connection Point, a fitted End Cap on each end.

## Build the product code

Versatile VL9050 Simple Stand-alone Luminaire

**VL9050-5X22-S-DOC-BT-940-DALI**

Module      Module Type    Beam    Surface Finish    CRI/LED Colour    Controls

Versatile VL9050 Continuous Luminaire

**VL9050-5X22-2-DOC-BT-940-DALI**

Module      Module Type    Beam    Surface Finish    CRI/LED Colour    Controls