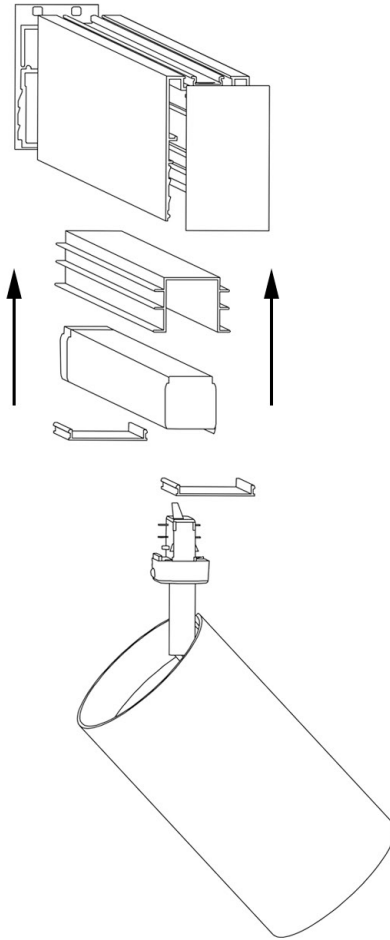


DATE:	March 2019	CODE:	VL9050-T6	A
PROJECT:		TYPE:		



Profile Configuration



Product Characteristics

Module Component Type	Lighting Track System
System Brand	Global Trac Pulse by Nordic
Circuits	3
Input Voltage	220-240V - 50/60 Hz
Electrical Connection Type	Integrated into VL9050 Profile
Compatible Controls Protocols	Non Dimmable / DALI Dimmable / 1-10V Dimmable / Phase Dim
Profile Finish	Black (BL) / White (WH)

Note: All track mounted luminaires to be powered by the track lighting system will need an integrated power supply to operate.

Compliance

EN55015:2013+A1:2015
 AS/NZS CISPR15:2017
 IEC/EN 60598-1:2017
 IEC/EN 60598-2-1:2014+A1:2015



Product Code

Versatile VL9050 Global Trac Component

VL9050-GTP-15600-BL

Module Type

Track Length (mm)

Surface Finish

Lighting Track Details

- Note - Both "Live End" and "Dead End" are concealed by a clip-on blanking cover

