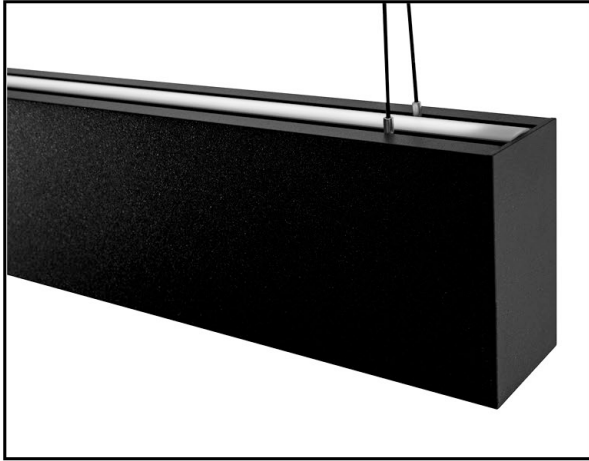
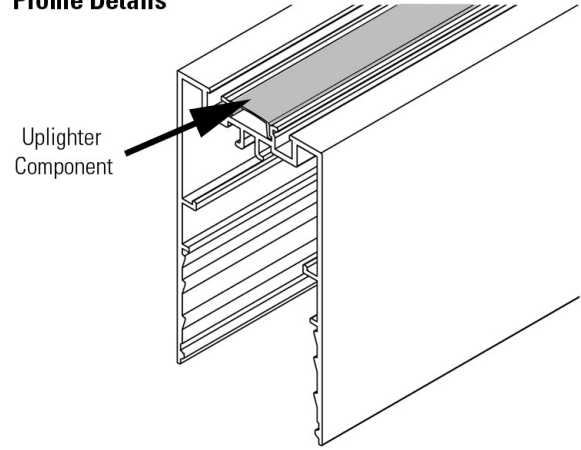


DATE:	March 2019	CODE:	VL9050-T5	A
PROJECT:		TYPE:		



### Profile Details



### Product Characteristics

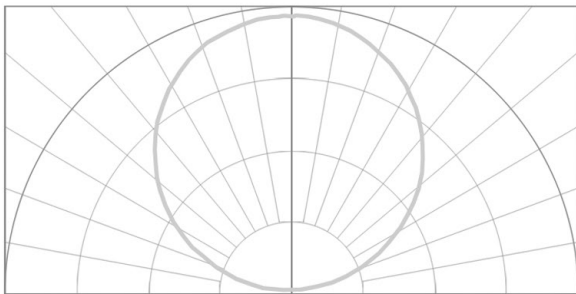
LED Module Type	LED Strip
Colour Consistency	<3 Step MacAdam
CRI / TM-30 (3000K)	CRI (Typical) Ra: 90 / Rf: 90 Rg: 100
Input Voltage	24V via 220-240V - 50/60 Hz driver
Electrical Connection Type	Integrated into VL9050 Profile

### Module Characteristics

VL9050 Uplighter Combinations	VL9050-UP-5	VL9050-UP-10	VL9050-UP-20
Delivered Module Lumens *	404	643	1,269
Module Wattage (W)	5.0W	7.9W	21.6W
CRI / Colour Temp (CCT)	90 CRI 2700K ( <b>927</b> ) / 90 CRI 3000K ( <b>930</b> ) / 90 CRI 4000K ( <b>940</b> ) / Tunable White ( <b>TW</b> )		
Diffuser Options	Frosted		
Control Options **	Non Dimmable ( <b>F</b> ) / DALI ( <b>DALI</b> ) / 1-10V Dimmable ( <b>1-10V</b> )		

Notes: \* Calculated Data Values Only - Based on 90CRI 4000K \*\* Options limited to driver manufacturers specifications

### Photometric Data IES files available at [www.intralux.com](http://www.intralux.com)



### Compliance

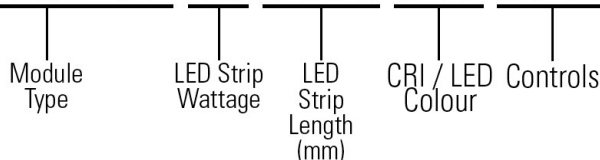
EN55015:2013+A1:2015  
 AS/NZS CISPR15:2017  
 IEC/EN 60598-1:2017  
 IEC/EN 60598-2-1:2014+A1:2015



### Product Code

Versatile VL9050 Uplighter Component

## VL9050-UP-10-1500-940-DALI



**Intralux Australia** 10/31 Acanthus Street, Darra, QLD 4076 Australia  
 Tel: +61 7 3375 9333 Email: [info@intralux.com](mailto:info@intralux.com) Website: [www.intralux.com](http://www.intralux.com)  
 Intralux products are designed and built to comply with appropriate International Standards. All brands and representations within the brochure are Trademarks of their respective holders. Some of the images on this brochure are computer generated representations. Intralux Australia reserves the right to alter the design and specifications of these products without notice. E&OE

