

Ancona

Exterior Post Top
Installation Instructions

Australian designed and manufactured

Ancona | Warnings

Installation Notes

- The luminaire must be installed by a qualified electrician.
- Make sure all connections are tight
- If there are any doubts regarding these instructions, please consult the supplier.
- This product contains a built-in surge protection device (SPD) in compliance with applicable standards.
- The SPD is wired to shut off AC to the luminaire once it reaches end-of-life. The luminaire should be returned to Intralux for replacement of the SPD.
- This luminaire should not be opened. Faulty luminaires should be returned to Intralux for repair.

Warnings

- Do not look directly into the illuminated luminaire.
- Do not perform a High Voltage Insulation Test (e.g. 500V-1000V) as this may damage the internal electronic components.
- Please ensure that the packaging is disposed of appropriately.
- If the luminaire is fitting with a Zhaga/NEMA base, a PE cell or shorting / protective cap must be installed at all times to ensure ingress protection is maintained.

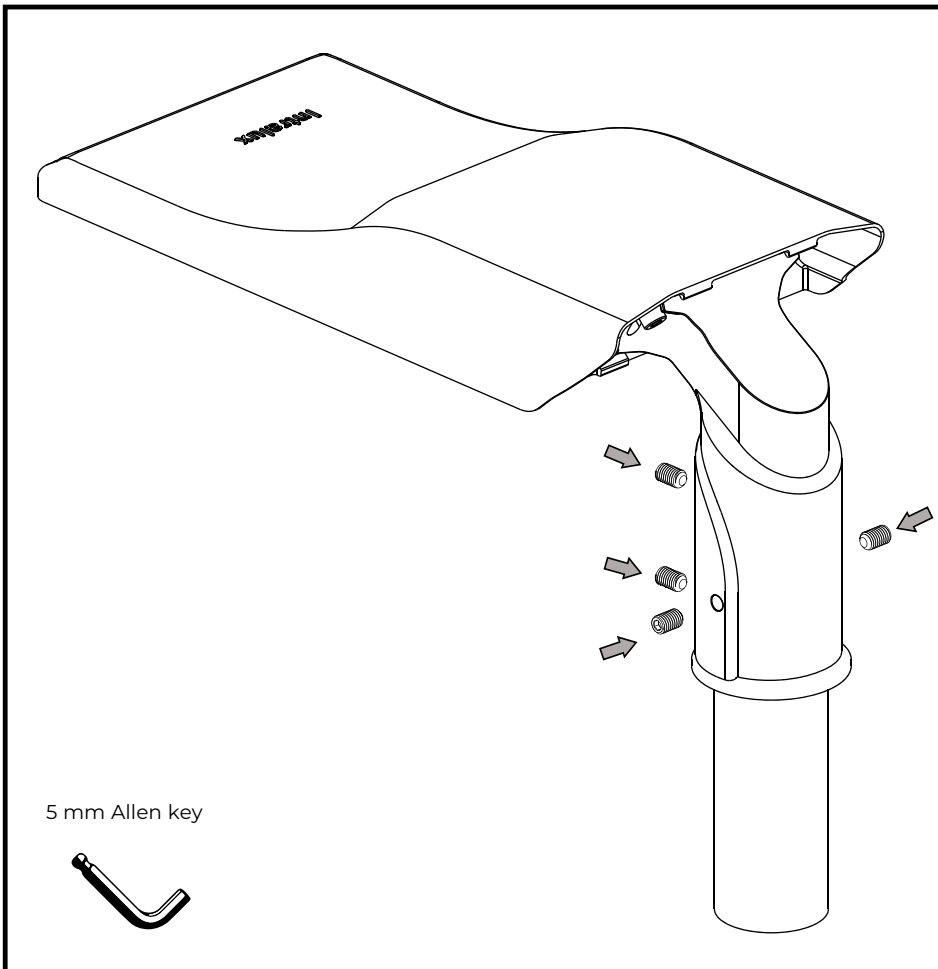
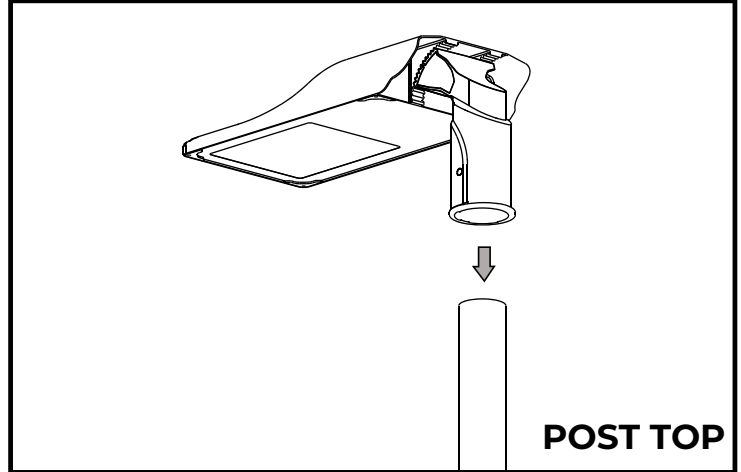
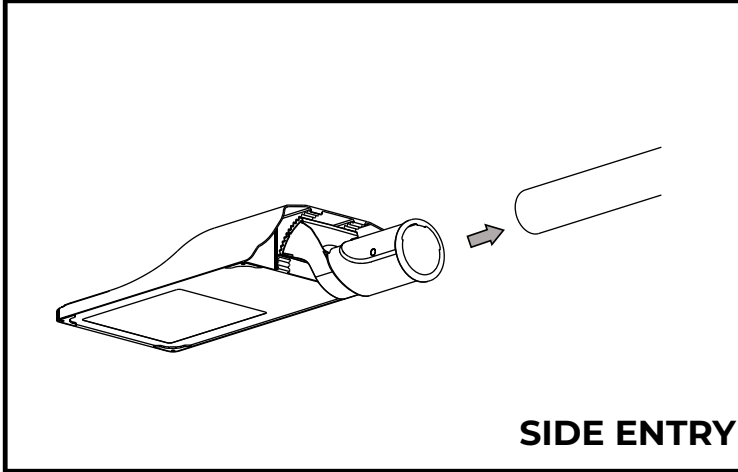


Maintenance Tips

- To clean glass cover, we recommend isopropanol based cleaners.

DATE	September 2024	CODE	ANC-IS-1	A
------	----------------	------	-----------------	----------

SECURING LUMINAIRE TO POLE



1. Rotate spigot to desired position for either installation on the top of a pole or using a Side Entry method.
NOTE: Check the correct spigot size has been ordered, that the pole and the spigot match.
2. If the supplied power cable through the pole entry.
Push the open spigot end onto the pole top.
3. Once in position, use the four stainless steel set screws provided to secure spigot tightly to pole.
4. Trim mains power cable to the desired length and connect the leads to their respective terminals at the base of the pole.

Wiring Guide:

Non Dimmable	DALI
L Live - Active	L Live - Active
N Neutral	N Neutral
— Earth	— Earth
	DA DALI signal

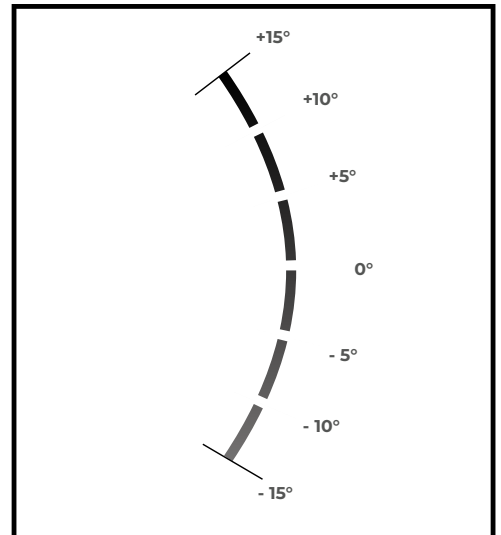
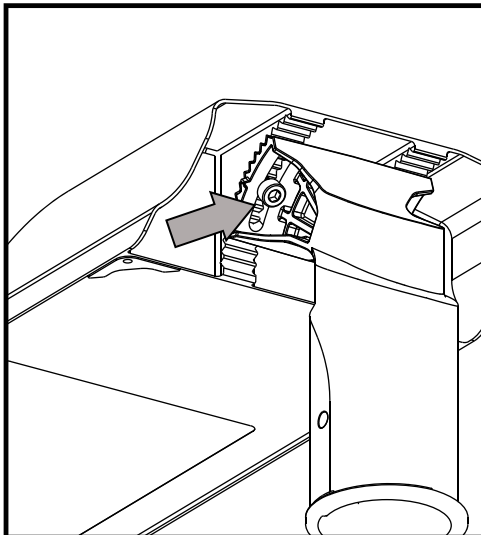
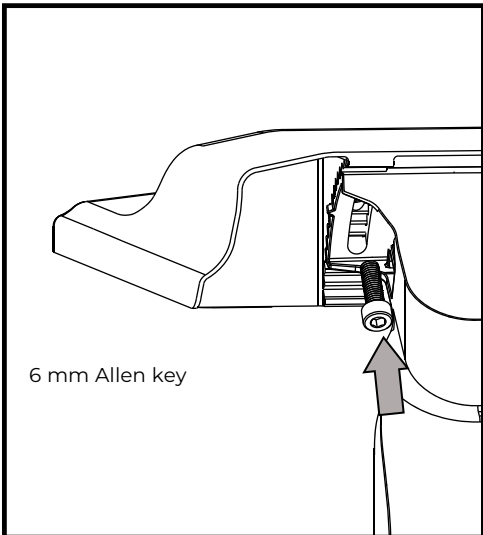
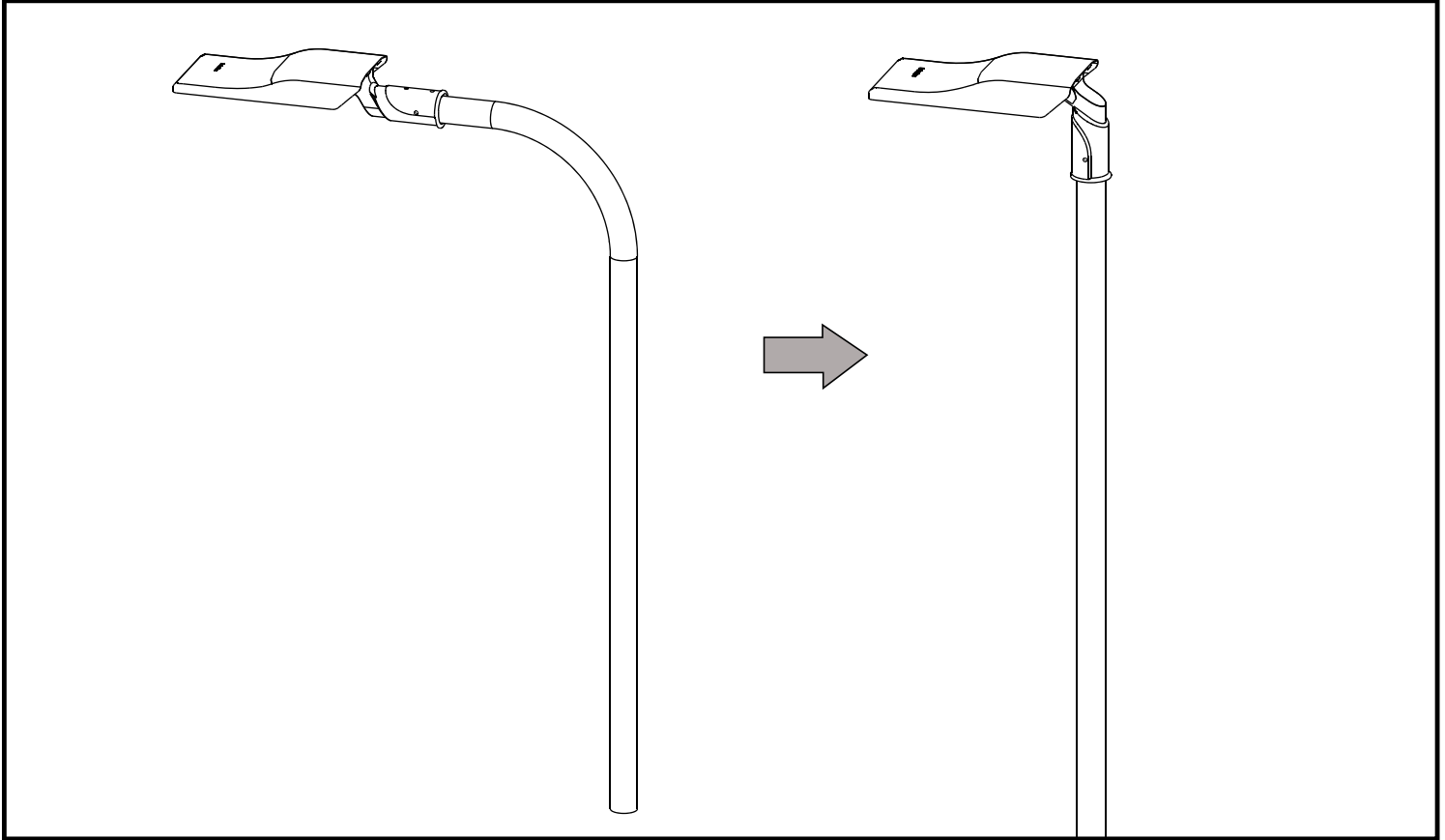
Tool required
5 mm Allen key

6 mm Allen key



DATE	September 2024	CODE	ANC-IS-1	A
------	----------------	------	-----------------	----------

ATTACHING AND ADJUSTING THE SPIGOT



1. To attach the spigot to the luminaire, use the two socket head bolts supplied to secure it to the fitting.

This luminaire has +/- 15 degrees of tilt adjustment up and down.

Set the desired increment