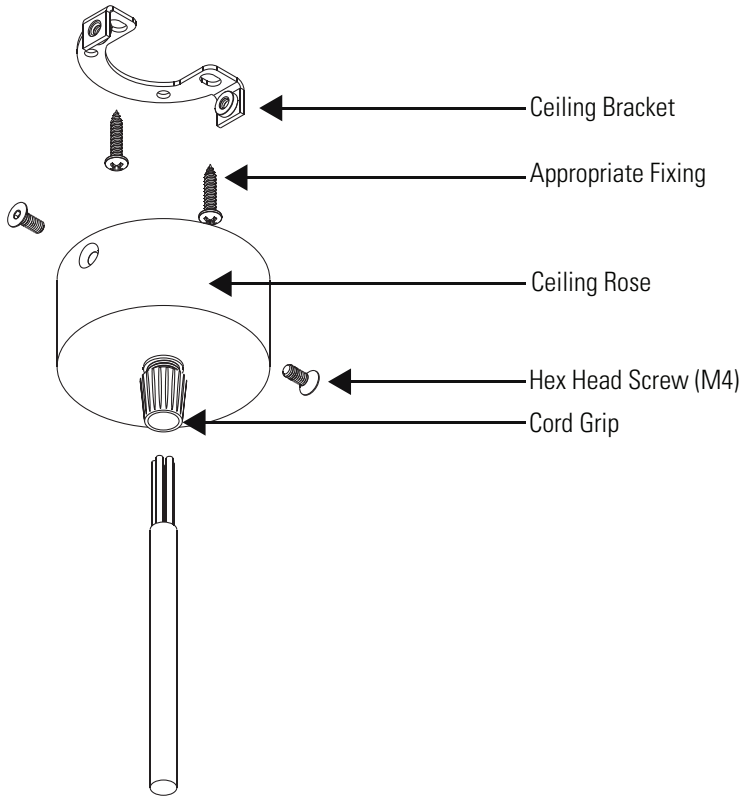
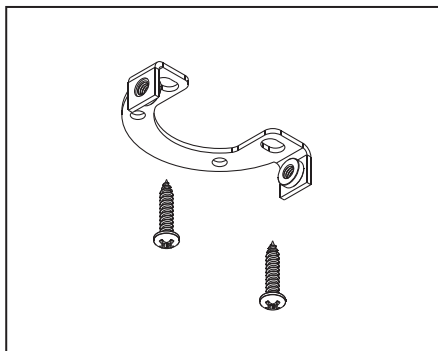
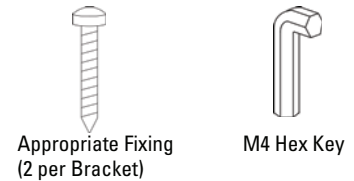


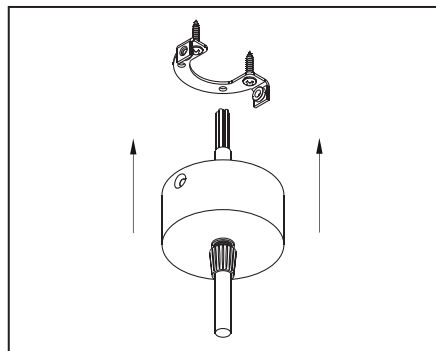
DATE	April 2023	CODE	COMPACT-IS-1	A
PROJECT		TYPE		



Required for Installation

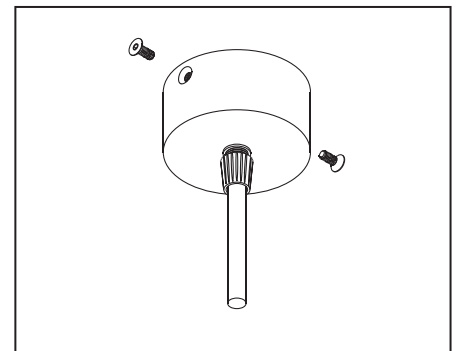


1. Ensure circuit breaker is turned off and all electrical and general safety precautions are followed. Attach the ceiling bracket to the ceiling using appropriate fixings (not supplied).



2. Feed clear cable from the luminaire through ceiling rose and cord grip. Connect clear cabling to building mains using the supplied quick-connect connectors.

- Red** Live
- Blue** Neutral
- Green** Earth
- White** DA + / Dim +
- Black** DA - / Dim -



3. Slide ceiling rose up to the ceiling rose bracket, and attach using the provided M4 hex-head screws. Tighten cord grip until appropriate strain-relief is provided.

Ensure cord grip at luminaire end is also tight.

Turn circuit breaker back on after all electrical testing has been carried out, and check the operation of the luminaire.

Installation is complete.