

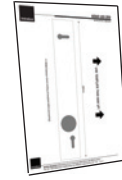


# KOVE LED ZED - INDIRECT UPLIGHTER

INSTALLATION SHEET

DATE	January 2023	CODE	<b>KLLEDZ-IS-1</b>	<b>B</b>
PROJECT		TYPE		

## Supplied parts



Mounting Template

## Required for Installation



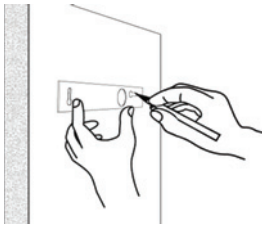
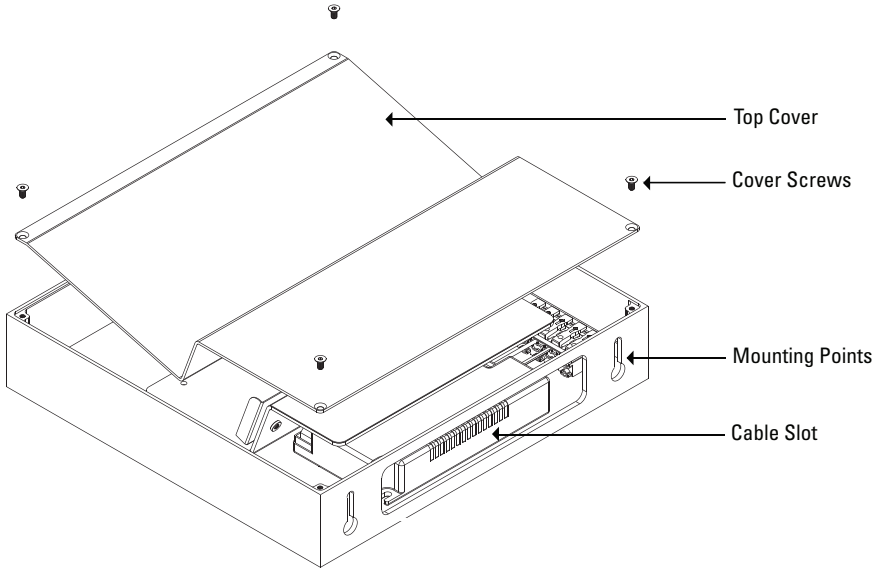
Wall Anchor



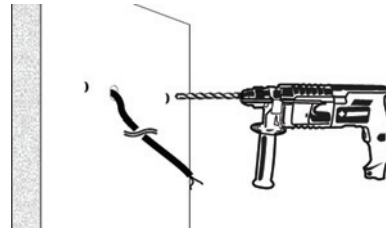
Mounting Screws



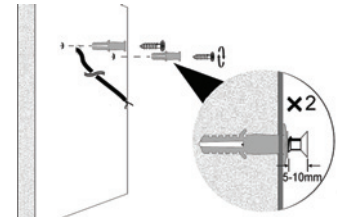
Hex Head Screwdriver



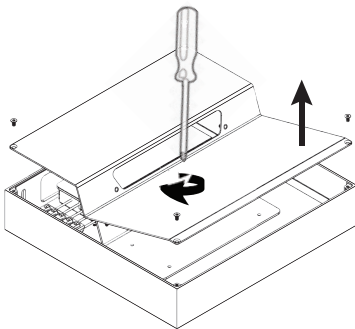
1. Using the mounting template provided, mark out the holes required.



2. Drill the mounting holes.

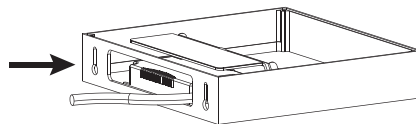


3. Insert appropriate wall anchors and attach screws most of the way in.

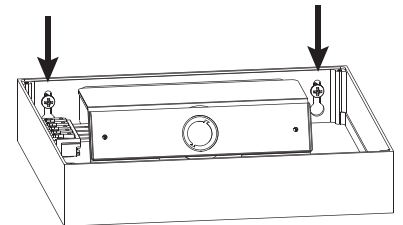


4. Using a Hex Head Screwdriver, undo the 4 top cover screws.

Remove the cover and put aside.



5. Insert mains power supply through cable slot.



6. Hang the fitting on the two mounting screws. Tighten the screws once the fitting is in the correct, level position.



Intralux Australia 15 Industrial Avenue, Wacol, QLD 4076 Australia  
Tel: +61 7 3726 9564 Email: info@intralux.com Website: www.intralux.com

Intralux products are designed and built to comply with appropriate International Standards. All brands and representations within the Installation Guide are Trademarks of their respective holders. Some of the images on this Installation Guide are computer generated representations. Intralux Australia reserves the right to alter the design and specifications of these products without notice. E&OE



20220920

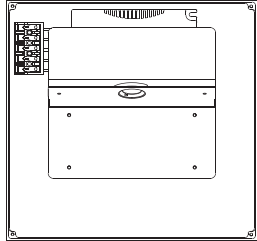




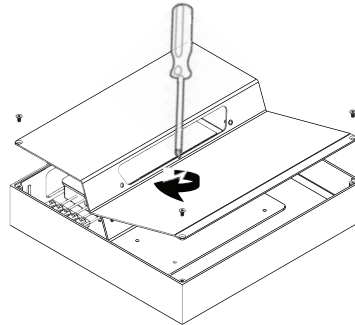
# KOVE LED ZED - INDIRECT UPLIGHTER

INSTALLATION SHEET

DATE	January 2023	CODE	<b>KLLEDZ-IS-1</b>	<b>B</b>
PROJECT		TYPE		



- Brown** Live
- Blue** Neutral
- Green/** Earth
- Yellow**
- Black** Dim- / DALI-
- Grey** Dim+ / DALI+



7. Complete wiring to terminal blocks as required.

8. Replace the cover.

Re-attach the topcover screws. **DO NOT OVERTIGHTEN!**

Test the luminaire for operation.

Installation is now complete.



**Intralux Australia** 15 Industrial Avenue, Wacol, QLD 4076 Australia  
Tel: +61 7 3726 9564 Email: [info@intralux.com](mailto:info@intralux.com) Website: [www.intralux.com](http://www.intralux.com)

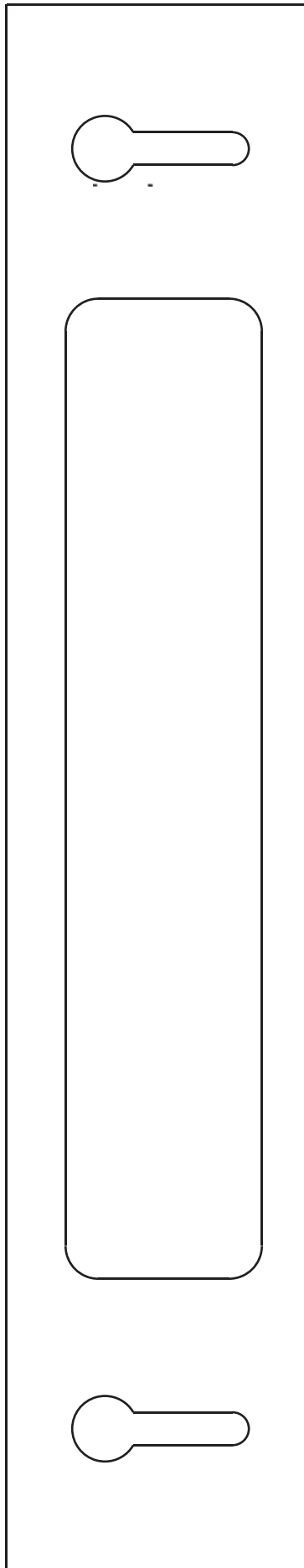
Intralux products are designed and built to comply with appropriate International Standards. All brands and representations within the Installation Guide are Trademarks of their respective holders. Some of the images on this Installation Guide are computer generated representations. Intralux Australia reserves the right to alter the design and specifications of these products without notice. E&OE





# KOVE LED ZED - INDIRECT UPLIGHTER

INSTALLATION TEMPLATE



USE TEMPLATE THIS WAY UP!

1:1 SCALE (always check scaling of template before proceeding)